



Great Plains

Manufacturing, Inc.

www.greatplainsmfg.com

Seed, Small Seeds, Native Grass and Fertilizer Rate Charts for the 2007+ 706NT and 1006NT No-Till Drills

The following pages are to assist in the proper setting of seeding and fertilizer rates for the 706NT and 1006NT No-Till Drills. To assure the most accurate seeding rates, Great Plains recommends checking singulated seed rates, and calibrating for fertilizer application rate at the time of planting.

ORIGINAL INSTRUCTIONS





Table of Contents

Main Seed Box and Dual Seed Box Planting	1	Native Grass Attachment Series II	20
Select Drive Type	1	Setting Native Grass Rate	20
Set Seed-Rate Handle	2	Great Plains Calibration for Series II	
Position Seed Cup Doors	2	Native Grass Drills	21
Checking Seed Rate	3	Calibration Formulas and Sample Calibration	23
Rate Charts, Main Seed Box.....	5	Native Grass Cup Rates	24
Alfalfa	5	Seeding Brome Grass with Native Grass Box	25
Barley-Schuyler.....	5	Checking Seed Rate	25
Bermuda Grass	6	Brome Grass Native Grass Rates	27
Buckwheat-Common.....	6	Fertilizer Rate	28
Buffalograss	7	Fertilizer Rate Chart.....	29
K-31 Fescue.....	7	Metric Rate Charts	30
Flax or Sudan.....	8	Metric Rate Charts, Main Seed Box.....	30
Eastern Gamma Grass-Pete	8	Alfalfa	30
Kentucky Blue Grass	9	Barley-Schuyler	31
Millet.....	9	Bermuda Grass.....	31
Milo	10	Buckwheat-Common	32
Oats	10	Buffalograss	32
Orchard Grass-Potomac	11	K-31 Fescue	33
Peas.....	11	Flax or Sudan	33
Pinto Beans.....	12	Eastern Gamma Grass-Pete	34
Rape	12	Kentucky Blue Grass	34
Rice-Short Grain	13	Millet	35
Rice-Long Grain-Lamont.....	13	Milo	35
Rye.....	14	Oats	36
Perennial Rye Grass-Palmer	14	Orchard Grass-Potomac.....	36
Soybeans	15	Peas.....	37
Sunflowers-Dahlgren Confection	15	Pinto Beans	37
Wheat-Abeline	16	Rape	38
Wheat Grass-Buffalo Brand	16	Rice-Short Grain	38
Small Seeds Attachment	17	Rice-Long Grain-Lamont	39
Small Seeds Seed Rate Charts	18	Rye	39
Alfalfa, Red Alsike, Crimson Clover	18	Perennial Rye Grass-Palmer	40
Kentucky Bluegrass, Fescue, Annual Rye Grass	18	Soybeans.....	40
Bermuda, Red Top, Lespedeza Unhulled, Sercia, Sand, Weeping Love Grass.....	18	Sunflowers-Dahlgren Confection	41
Red & Sweet Clover, Lespedeza Hulled.....	18	Wheat-Abeline	41
Orchard Grass	19	Wheat Grass-Buffalo Brand.....	42
Millet, Reed Canary	19	Metric Small Seeds Seed Rate Charts	43
Ladino Clover, Canary Grass, Timothy, Canola	19	Metric Native Grass Rates	45
Birdsfoot, Trefoil, Sudan	19	Metric Fertilizer Rate Chart.....	46
		Sprocket Configurations	47

© Copyright 2009, 2010, 2011, 2012, 2013, 2014, 2015, 2016 All rights Reserved

Great Plains Manufacturing, Inc. provides this publication “as is” without warranty of any kind, either expressed or implied. While every precaution has been taken in the preparation of this manual, Great Plains Manufacturing, Inc. assumes no responsibility for errors or omissions. Neither is any liability assumed for damages resulting from the use of the information contained herein. Great Plains Manufacturing, Inc. reserves the right to revise and improve its products as it sees fit. This publication describes the state of this product at the time of its publication, and may not reflect the product in the future.

Trademarks of Great Plains Manufacturing, Inc. include: AccuShot, Max-Chisel, Row-Pro, Singulator Plus, Short Disk, Swath Command, Terra-Tine, Ultra-Chisel, and X-Press.

Registered Trademarks of Great Plains Manufacturing, Inc. include: Air-Pro, Clear-Shot, Discovator, Great Plains, Land Pride, MeterCone, Nutri-Pro, Seed-Lok, Solid Stand, Terra-Guard, Turbo-Chisel, Turbo-Chopper, Turbo-Max, Turbo-Till, Ultra-Till, Whirfilter, and Yield-Pro.

Brand and Product Names that appear and are owned by others are trademarks of their respective owners.

Printed in the United States of America



Main Seed Box and Dual Seed Box Planting

Calibrating the seeding rate requires four steps:

1. selecting one of four drive types,
2. setting the seed-rate handle,
3. positioning the feed-cup door, and
4. checking the seed rate.

Settings, seed rate charts, and calibration are the same for the main seed box and the dual seed box.

Refer to the seed rate charts beginning on page 5. These charts list the proper drive type and seed-rate-handle settings for various seeds and seeding rates.

The seed rate charts are based on cleaned, untreated seed of average size and test weight. The rates are based on 9.00 x 24 rib implement tires. Many factors will affect seeding rates including foreign material, seed treatment, seed size, field conditions, tire pressure and test weight. Minor adjustments likely will be needed. Set and check the seeding rate using the procedures on page 3, then adjust the rate as necessary.

Select Drive Type

Refer to Figure 1

The gearbox is designed to give you a variety of drive speeds for different types of seeds and rates. It is a linear shift pattern design with constant mesh gearing and totally sealed to keep the dirt out. No lubrication is required unless service is needed.

The gearbox brass indicator plate is positioned so the side with “1” is closest to the center of the drill.

To set the gearbox move the selector handle ① until the desired drive type appears in the window ② on the handle.

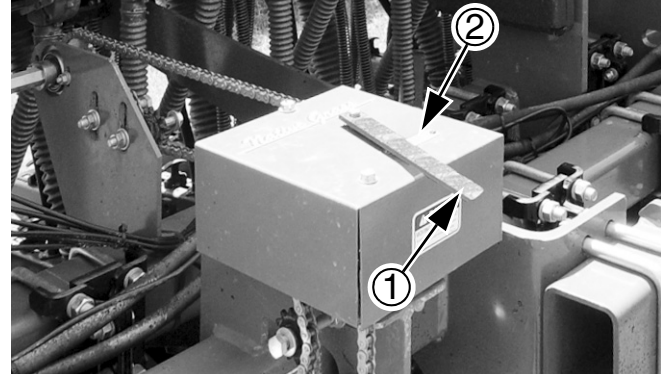


Figure 1
Gearbox Handle Adjustment

21711

Table 1: Gear Box Ratios

Setting 2 is 2.06 Times Faster Than 1

Setting 3 is 3.08 Times Faster Than 1

Setting 4 is 5.03 Times Faster Than 1

Set Seed-Rate Handle

Refer to Figure 2

The seed rate handle controls the percent engagement of the seed sprocket in each seed cup.

1. Loosen wing nut ① under handle.
2. Set indicator ② to just past value from seed rate chart.
3. Tighten wing nut.

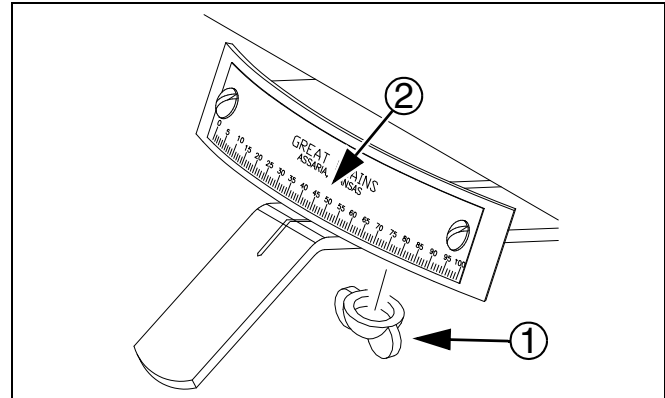


Figure 2
Seed Rate Handle

12927

Position Seed Cup Doors

Refer to Figure 3, which depicts the seed cup door handle in position ④.

At each seed box seed tube, adjust the seed cup door handle ④ for the seed size.

The handle has three normal operating position detents:

- ① (top detent) is for the smallest seeds. Use it for wheat and similar small seeds.
- ② (middle detent) is for larger seeds. Use it for soybeans and similar larger seeds.
- ③ (bottom detent) is for oversize or fragile seeds. If you experience excessive cracking with setting ②, use setting ③.

Note: Handle position ⑤ is used for cleanout, not planting. If set to ⑤ with seed loaded, it may be difficult to reset it to a normal operating position.

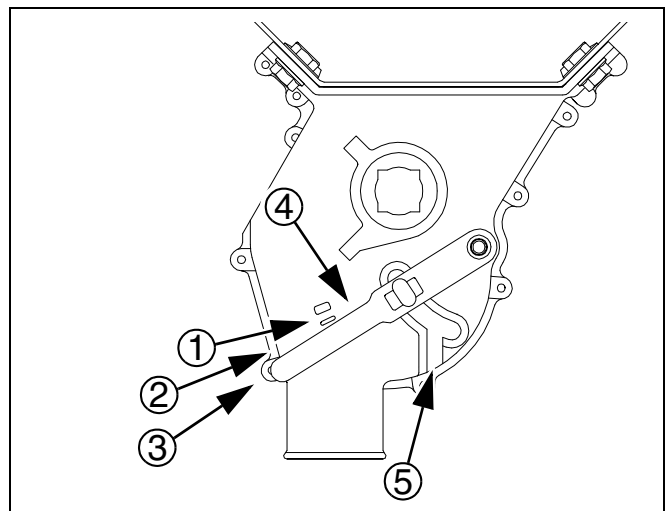


Figure 3
Seed Cup Door Handle

26211

Checking Seed Rate

NOTICE

These charts are estimations of maximum seed rates. Actual results will vary based on conditions and machine maintenance. Maintain your machine regularly for optimum performance.

1. To calibrate, use either the left hand gauge wheel or the supplied calibration crank. If using the calibration crank, attach crank to coupler on gauge wheel jackshaft with retaining pin and disengage lockout on drive wheel.
2. Rotate left hand gauge wheel or calibration crank to see that feed cups and drive are working properly and are free from foreign matter.
3. To adjust seeding rate, decide which drive type (gearbox) setting you need from the seeding charts beginning on page 5. Set the gearbox. Rotate drive tire or calibration crank a few turns to confirm gearbox has engaged.
4. Record weight of an empty container large enough to hold seed metered for one acre.
5. Place several pounds of seed over three seed cups on an outside end of drill box. Pull seed tubes off of these three openers.
6. Turn drive gauge wheel or calibration crank several times to fill seed cups with seed. Turn wheel or crank until seed falls to the ground from each cup.
7. Rotate drive gauge wheel or calibration crank
595 rotations for the 706 and
411 rotations for the 1006.
This is equal to one acre.

Note: You can also rotate the gauge wheel jackshaft by means of a wrench or socket. If rotating gauge wheel jackshaft, disengage the lockout on the drive wheel and use same number of rotations as for rotating drive wheel.

8. Check that the three seed cups have plenty of seed coming into them.
9. Weigh metered seed. Subtract initial weight of container. Divide by three. Multiply by the number of openers on your drill to determine total pounds seeded per acre. If this figure is different than desired, set your seed rate adjustment handle accordingly.

Note: You may want to repeat the calibration procedure if your results vary greatly from seed rate chart.



Figure 4
Calibration Crank

23386

Drill Model	Revolutions for One	
	Acre	Hectare
706NT	595	1470
1006NT	411	1016

$$\frac{\text{MeasuredSeed} - \text{EmptyContainer}}{3} = \text{PoundsPerSeedCup}$$

$$\text{PoundsPerSeedCup} \times \text{NumberOfOpeners} = \text{PoundsPerAcre}$$

10. When drilling, check seeding rate by noting acres drilled, amount of seed added to drill and seed level in drill box. If you are seeding more or less than desired, adjust seeding rate slightly to compensate for field conditions.

Rate Charts, Main Seed Box and Dual Seed Box

Metric charts begin on page 30.

Alfalfa

		Seed Rate Handle Setting Number																				
		0	5	10	15	20	25	30	35	40	45	50	55	60	65	70	75	80	85	90	95	100
Rows	Drive Type 1	Seed Rate in Pounds per Acres										Based on 60 pounds/bushel										
7 inch		0.0	5.4	7.8	10.6	13.7	17.1	20.8	24.7	28.7	32.9	37.2	41.5	45.9	50.3	54.6	58.8	62.9	66.9	70.6	74.1	77.3
7.5 inch		0.0	5.0	7.3	9.9	12.8	16.0	19.4	23.0	26.8	30.7	34.7	38.8	42.9	46.9	50.9	54.9	58.7	62.4	65.9	69.2	72.2
8 inch		0.0	4.7	6.8	9.3	12.0	15.0	18.2	21.6	25.1	28.8	32.5	36.3	40.2	44.0	47.8	51.5	55.0	58.5	61.8	64.8	67.7
Rows	Drive Type 2	Seed Rate in Pounds per Acres										Based on 60 pounds/bushel										
7 inch		0.0	11.0	16.0	21.8	28.2	35.2	42.8	50.7	59.0	67.6	76.5	85.4	94.4	103.3	112.2	120.9	129.3	137.4	145.1	152.3	159.0
7.5 inch		0.0	10.3	15.0	20.3	26.3	32.9	39.9	47.3	55.1	63.1	71.4	79.7	88.1	96.4	104.7	112.8	120.7	128.3	135.4	142.2	148.4
8 inch		0.0	9.6	14.0	19.1	24.7	30.8	37.4	44.4	51.7	59.2	66.9	74.7	82.6	90.4	98.2	105.8	113.2	120.2	127.0	133.3	139.1
Rows	Drive Type 3	Seed Rate in Pounds per Acres										Based on 60 pounds/bushel										
7 inch		0.0	17.9	25.2	33.6	43.0	53.3	64.2	75.8	87.9	100.4	113.1	126.0	138.9	151.7	164.3	176.5	188.4	199.7	210.3	220.1	229.0
7.5 inch		0.0	16.7	23.5	31.4	40.2	49.7	59.9	70.8	82.0	93.7	105.5	117.6	129.6	141.5	153.3	164.8	175.8	186.4	196.2	205.4	213.7
8 inch		0.0	15.6	22.1	29.4	37.6	46.6	56.2	66.3	76.9	87.8	98.9	110.2	121.5	132.7	143.7	154.5	164.8	174.7	184.0	192.6	200.4
Rows	Drive Type 4	Seed Rate in Pounds per Acres										Based on 60 pounds/bushel										
7 inch		0.0	29.1	41.1	54.8	70.1	86.8	104.7	123.6	143.3	163.6	184.4	205.4	226.4	247.3	267.8	287.8	307.1	325.5	342.8	358.8	373.3
7.5 inch		0.0	27.2	38.4	51.2	65.5	81.0	97.7	115.4	133.8	152.7	172.1	191.7	211.3	230.8	250.0	268.6	286.7	303.8	320.0	334.9	348.5
8 inch		0.0	25.5	36.0	48.0	61.4	76.0	91.6	108.2	125.4	143.2	161.3	179.7	198.1	216.4	234.3	251.9	268.7	284.8	300.0	314.0	326.7

Barley-Schuyler

		Seed Rate Handle Setting Number																				
		0	5	10	15	20	25	30	35	40	45	50	55	60	65	70	75	80	85	90	95	100
Rows	Drive Type 1	Seed Rate in Pounds per Acres										Based on 51 pounds/bushel										
7 inch		0.0	5.5	7.3	9.8	12.7	16.0	19.6	23.6	27.7	32.0	36.3	40.7	44.9	49.0	52.9	56.6	59.8	62.6	65.0	66.8	67.9
7.5 inch		0.0	5.1	6.9	9.1	11.8	14.9	18.3	22.0	25.9	29.9	33.9	38.0	41.9	45.8	49.4	52.8	55.8	58.5	60.7	62.3	63.4
8 inch		0.0	4.8	6.4	8.5	11.1	14.0	17.2	20.6	24.3	28.0	31.8	35.6	39.3	42.9	46.3	49.5	52.3	54.8	56.9	58.4	59.4
Rows	Drive Type 2	Seed Rate in Pounds per Acres										Based on 51 pounds/bushel										
7 inch		0.0	11.3	15.1	20.1	26.0	32.9	40.4	48.5	57.0	65.8	74.7	83.6	92.4	100.8	108.8	116.3	123.0	128.8	133.6	137.2	139.6
7.5 inch		0.0	10.5	14.1	18.7	24.3	30.7	37.7	45.2	53.2	61.4	69.7	78.0	86.2	94.1	101.6	108.5	114.8	120.2	124.7	128.1	130.3
8 inch		0.0	9.9	13.2	17.6	22.8	28.8	35.3	42.4	49.9	57.6	65.4	73.2	80.8	88.2	95.2	101.7	107.6	112.7	116.9	120.1	122.1
Rows	Drive Type 3	Seed Rate in Pounds per Acres										Based on 51 pounds/bushel										
7 inch		0.0	15.9	22.7	30.7	39.8	49.8	60.7	72.2	84.3	96.7	109.4	122.1	134.8	147.3	159.4	171.1	182.1	192.3	201.5	209.7	216.7
7.5 inch		0.0	14.9	21.2	28.6	37.1	46.5	56.6	67.4	78.7	90.3	102.1	114.0	125.8	137.5	148.8	159.7	169.9	179.5	188.1	195.7	202.2
8 inch		0.0	14.0	19.8	26.8	34.8	43.6	53.1	63.2	73.7	84.6	95.7	106.9	118.0	128.9	139.5	149.7	159.3	168.2	176.3	183.5	189.6
Rows	Drive Type 4	Seed Rate in Pounds per Acres										Based on 51 pounds/bushel										
7 inch		0.0	26.0	37.0	50.0	64.8	81.2	98.9	117.7	137.4	157.7	178.3	199.1	219.8	240.2	260.0	278.9	296.9	313.5	328.6	341.9	353.3
7.5 inch		0.0	24.3	34.5	46.7	60.5	75.8	92.3	109.9	128.2	147.2	166.4	185.9	205.2	224.2	242.6	260.3	277.1	292.6	306.7	319.1	329.7
8 inch		0.0	22.7	32.4	43.7	56.7	71.1	86.6	103.0	120.2	138.0	156.0	174.2	192.3	210.2	227.5	244.1	259.7	274.3	287.5	299.2	309.1

Rate Charts, Main Seed Box and Dual Seed Box, continued...

Bermuda Grass

		Seed Rate Handle Setting Number																				
		0	5	10	15	20	25	30	35	40	45	50	55	60	65	70	75	80	85	90	95	100
Rows	Drive Type 1	Seed Rate in Pounds per Acres Based on 60 pounds/bushel																				
7 inch		0.0	2.0	4.1	6.2	8.4	10.6	12.8	15.1	17.5	19.8	22.1	24.5	26.8	29.1	31.4	33.7	35.9	38.1	40.2	42.3	44.3
7.5 inch		0.0	1.9	3.8	5.8	7.8	9.9	12.0	14.1	16.3	18.5	20.7	22.8	25.0	27.2	29.3	31.5	33.5	35.6	37.5	39.5	41.3
8 inch		0.0	1.8	3.6	5.4	7.3	9.3	11.2	13.2	15.3	17.3	19.4	21.4	23.5	25.5	27.5	29.5	31.4	33.3	35.2	37.0	38.7
Rows	Drive Type 2	Seed Rate in Pounds per Acres Based on 60 pounds/bushel																				
7 inch		0.0	4.2	8.4	12.7	17.2	21.7	26.4	31.1	35.9	40.7	45.5	50.3	55.1	59.9	64.6	69.3	73.9	78.3	82.7	86.9	91.0
7.5 inch		0.0	3.9	7.8	11.9	16.0	20.3	24.6	29.0	33.5	38.0	42.5	47.0	51.5	55.9	60.3	64.7	68.9	73.1	77.2	81.1	84.9
8 inch		0.0	3.7	7.4	11.1	15.0	19.0	23.1	27.2	31.4	35.6	39.8	44.0	48.2	52.4	56.5	60.6	64.6	68.5	72.4	76.1	79.6
Rows	Drive Type 3	Seed Rate in Pounds per Acres Based on 60 pounds/bushel																				
7 inch		0.0	6.6	12.9	19.4	26.0	32.7	39.6	46.5	53.5	60.5	67.5	74.4	81.3	88.0	94.7	101.1	107.4	113.5	119.3	124.9	130.1
7.5 inch		0.0	6.2	12.0	18.1	24.2	30.5	36.9	43.4	49.9	56.4	63.0	69.4	75.8	82.2	88.3	94.4	100.3	105.9	111.4	116.5	121.4
8 inch		0.0	5.8	11.3	16.9	22.7	28.6	34.6	40.7	46.8	52.9	59.0	65.1	71.1	77.0	82.8	88.5	94.0	99.3	104.4	109.2	113.8
Rows	Drive Type 4	Seed Rate in Pounds per Acres Based on 60 pounds/bushel																				
7 inch		0.0	10.8	21.0	31.6	42.3	53.3	64.5	75.8	87.2	98.6	110.0	121.3	132.5	143.5	154.3	164.9	175.1	185.0	194.5	203.6	212.1
7.5 inch		0.0	10.1	19.6	29.4	39.5	49.8	60.2	70.8	81.4	92.0	102.6	113.2	123.7	133.9	144.0	153.9	163.5	172.7	181.6	190.0	198.0
8 inch		0.0	9.5	18.4	27.6	37.0	46.7	56.5	66.3	76.3	86.3	96.2	106.1	115.9	125.6	135.0	144.3	153.2	161.9	170.2	178.1	185.6

Buckwheat-Common

		Seed Rate Handle Setting Number																				
		0	5	10	15	20	25	30	35	40	45	50	55	60	65	70	75	80	85	90	95	100
Rows	Drive Type 1	Seed Rate in Pounds per Acres Based on 48 pounds/bushel																				
7 inch		0.0	4.5	6.7	9.2	12.2	15.6	19.2	23.0	27.1	31.2	35.3	39.5	43.5	47.5	51.2	54.6	57.8	60.5	62.8	64.6	65.9
7.5 inch		0.0	4.2	6.2	8.6	11.4	14.5	17.9	21.5	25.3	29.1	33.0	36.8	40.6	44.3	47.8	51.0	53.9	56.5	58.6	60.3	61.5
8 inch		0.0	4.0	5.8	8.1	10.7	13.6	16.8	20.2	23.7	27.3	30.9	34.5	38.1	41.5	44.8	47.8	50.6	53.0	55.0	56.6	57.6
Rows	Drive Type 2	Seed Rate in Pounds per Acres Based on 48 pounds/bushel																				
7 inch		0.0	9.4	13.7	19.0	25.1	32.0	39.4	47.4	55.6	64.1	72.6	81.2	89.5	97.6	105.2	112.3	118.8	124.4	129.2	132.9	135.4
7.5 inch		0.0	8.7	12.8	17.7	23.5	29.9	36.8	44.2	51.9	59.8	67.8	75.7	83.5	91.1	98.2	104.8	110.9	116.1	120.5	124.0	126.4
8 inch		0.0	8.2	12.0	16.6	22.0	28.0	34.5	41.4	48.7	56.1	63.6	71.0	78.3	85.4	92.1	98.3	103.9	108.9	113.0	116.2	118.5
Rows	Drive Type 3	Seed Rate in Pounds per Acres Based on 48 pounds/bushel																				
7 inch		0.0	17.4	21.3	27.5	35.8	45.9	57.4	70.3	84.1	98.6	113.6	128.7	143.8	158.5	172.6	185.8	197.8	208.5	217.4	224.4	229.1
7.5 inch		0.0	16.2	19.9	25.7	33.4	42.8	53.6	65.6	78.5	92.0	106.0	120.1	134.2	147.9	161.1	173.4	184.6	194.6	202.9	209.4	213.8
8 inch		0.0	15.2	18.6	24.1	31.3	40.1	50.3	61.5	73.6	86.3	99.4	112.6	125.8	138.7	151.0	162.6	173.1	182.4	190.2	196.3	200.5
Rows	Drive Type 4	Seed Rate in Pounds per Acres Based on 48 pounds/bushel																				
7 inch		0.0	28.4	34.7	44.9	58.4	74.8	93.6	114.6	137.1	160.8	185.2	209.9	234.4	258.4	281.4	302.9	322.5	339.9	354.4	365.8	373.6
7.5 inch		0.0	26.5	32.4	41.9	54.5	69.8	87.4	106.9	127.9	150.0	172.8	195.9	218.8	241.2	262.6	282.7	301.0	317.2	330.8	341.4	348.7
8 inch		0.0	24.8	30.4	39.3	51.1	65.4	81.9	100.2	119.9	140.7	162.0	183.6	205.1	226.1	246.2	265.0	282.2	297.4	310.1	320.1	326.9

Rate Charts, Main Seed Box and Dual Seed Box, continued...

Buffalograss

		Seed Rate Handle Setting Number																				
		0	5	10	15	20	25	30	35	40	45	50	55	60	65	70	75	80	85	90	95	100
Rows	Drive Type 1	Seed Rate in Pounds per Acres															Based on 23 pounds/bushel					
7 inch		0.0	1	2	3	4	6	7	9	10	12	13	15	16	18	19	20	21	21	22	22	22
7.5 inch		0.0	1	2	3	4	5	7	8	10	11	13	14	15	17	18	19	20	20	20	20	20
8 inch		0.0	1	2	3	4	5	6	8	9	10	12	13	14	16	17	18	18	19	19	19	19
Rows	Drive Type 2	Seed Rate in Pounds per Acres															Based on 23 pounds/bushel					
7 inch		0.0	3	4	7	9	12	15	18	21	24	28	31	34	37	39	41	43	44	45	45	44
7.5 inch		0.0	2	4	6	8	11	14	17	20	23	26	29	32	34	36	38	40	41	42	42	41
8 inch		0.0	2	4	6	8	10	13	16	19	21	24	27	30	32	34	36	38	39	39	39	39
Rows	Drive Type 3	Seed Rate in Pounds per Acres															Based on 23 pounds/bushel					
7 inch		0.0	5	7	10	13	17	21	26	31	36	41	46	50	55	59	62	65	67	69	69	69
7.5 inch		0.0	5	7	9	12	16	20	24	29	34	38	43	47	51	55	58	61	63	64	65	64
8 inch		0.0	4	6	9	12	15	19	23	27	31	36	40	44	48	51	54	57	59	60	61	60
Rows	Drive Type 4	Seed Rate in Pounds per Acres															Based on 23 pounds/bushel					
7 inch		0.0	8	11	16	22	28	36	43	50	59	67	75	82	89	96	101	106	110	112	113	112
7.5 inch		0.0	7	11	15	20	26	33	40	47	55	62	70	77	83	90	95	99	102	104	105	104
8 inch		0.0	7	10	14	19	24	31	37	44	51	58	65	72	78	84	89	93	96	98	99	98

K-31 Fescue

		Seed Rate Handle Setting Number																				
		0	5	10	15	20	25	30	35	40	45	50	55	60	65	70	75	80	85	90	95	100
Rows	Drive Type 1	Seed Rate in Pounds per Acres															Based on 21 pounds/bushel					
7 inch		0.0	2.2	3.4	4.6	6.0	7.4	8.9	10.5	12.0	13.6	15.1	16.6	18.1	19.5	20.8	22.1	23.2	24.2	25.0	25.7	26.3
7.5 inch		0.0	2.0	3.1	4.3	5.6	7.0	8.3	9.8	11.2	12.7	14.1	15.5	16.9	18.2	19.5	20.6	21.7	22.6	23.4	24.0	24.5
8 inch		0.0	1.9	2.9	4.1	5.3	6.5	7.8	9.2	10.5	11.9	13.2	14.6	15.8	17.1	18.2	19.3	20.3	21.2	21.9	22.5	23.0
Rows	Drive Type 2	Seed Rate in Pounds per Acres															Based on 21 pounds/bushel					
7 inch		0.0	4.5	6.9	9.6	12.4	15.3	18.4	21.5	24.7	27.9	31.1	34.2	37.2	40.1	42.8	45.4	47.7	49.7	51.5	52.9	54.0
7.5 inch		0.0	4.2	6.5	8.9	11.5	14.3	17.2	20.1	23.1	26.0	29.0	31.9	34.7	37.4	40.0	42.4	44.5	46.4	48.1	49.4	50.4
8 inch		0.0	3.9	6.1	8.4	10.8	13.4	16.1	18.8	21.6	24.4	27.2	29.9	32.6	35.1	37.5	39.7	41.7	43.5	45.1	46.3	47.2
Rows	Drive Type 3	Seed Rate in Pounds per Acres															Based on 21 pounds/bushel					
7 inch		0.0	7.7	10.8	14.3	18.2	22.4	26.8	31.3	36.1	40.8	45.6	50.4	55.1	59.6	63.9	67.9	71.6	75.0	77.9	80.3	82.1
7.5 inch		0.0	7.2	10.1	13.4	17.0	20.9	25.0	29.3	33.7	38.1	42.6	47.0	51.4	55.6	59.6	63.4	66.8	70.0	72.7	74.9	76.7
8 inch		0.0	6.8	9.5	12.6	15.9	19.6	23.4	27.4	31.5	35.7	39.9	44.1	48.2	52.1	55.9	59.4	62.7	65.6	68.1	70.2	71.9
Rows	Drive Type 4	Seed Rate in Pounds per Acres															Based on 21 pounds/bushel					
7 inch		0.0	12.6	17.1	23.4	29.7	36.5	43.6	51.1	58.8	66.6	74.4	82.2	89.8	97.1	104.1	110.7	116.8	122.2	126.9	130.9	133.9
7.5 inch		0.0	11.8	16.5	21.8	27.7	34.0	40.7	47.7	54.9	62.1	69.4	76.7	83.8	90.6	97.2	103.3	109.0	114.1	118.5	122.2	125.0
8 inch		0.0	11.0	15.5	20.5	26.0	31.9	38.2	44.7	51.4	58.3	65.1	71.9	78.6	85.0	91.1	96.9	102.2	106.9	111.1	114.5	117.2

Rate Charts, Main Seed Box and Dual Seed Box, continued...

Flax or Sudan

		Seed Rate Handle Setting Number																				
		0	5	10	15	20	25	30	35	40	45	50	55	60	65	70	75	80	85	90	95	100
Rows	Drive Type 1	Seed Rate in Pounds per Acres Based on 55 pounds/bushel																				
7 inch		0.0	5.3	7.9	10.9	14.2	17.8	21.6	25.6	29.8	34.1	38.5	43.0	47.4	51.8	56.2	60.4	64.5	68.4	72.1	75.5	78.6
7.5 inch		0.0	5.0	7.4	10.2	13.2	16.6	20.1	23.9	27.8	31.8	35.9	40.1	44.2	48.4	52.4	56.4	60.2	63.9	67.3	70.5	73.4
8 inch		0.0	4.7	6.9	9.5	12.4	15.5	18.9	22.4	26.1	29.8	33.7	37.6	41.5	45.4	49.2	52.9	56.5	59.9	63.1	66.1	68.8
Rows	Drive Type 2	Seed Rate in Pounds per Acres Based on 55 pounds/bushel																				
7 inch		0.0	10.9	16.3	22.4	29.2	36.5	44.4	52.6	61.2	70.1	79.1	88.3	97.4	106.5	115.5	124.2	132.6	140.7	148.2	155.2	161.6
7.5 inch		0.0	10.2	15.2	20.9	27.2	34.1	41.4	49.1	57.2	65.4	73.9	82.4	90.9	99.4	107.8	115.9	123.8	131.3	138.3	144.9	150.8
8 inch		0.0	9.6	14.3	19.6	25.5	31.9	38.8	46.0	53.6	61.3	69.3	77.3	85.3	93.2	101.1	108.7	116.1	123.1	129.7	135.8	141.4
Rows	Drive Type 3	Seed Rate in Pounds per Acres Based on 55 pounds/bushel																				
7 inch		0.0	16.7	24.8	33.7	43.5	53.9	64.9	76.4	88.3	100.5	112.9	125.4	137.9	150.4	162.7	174.7	186.3	197.5	208.1	218.0	227.2
7.5 inch		0.0	15.6	23.1	31.5	40.6	50.3	60.6	71.3	82.4	93.8	105.4	117.1	128.7	140.4	151.8	163.0	173.9	184.3	194.2	203.5	212.1
8 inch		0.0	14.6	21.7	29.5	38.0	47.2	56.8	66.9	77.3	87.9	98.8	109.7	120.7	131.6	142.3	152.8	163.0	172.8	182.1	190.8	198.8
Rows	Drive Type 4	Seed Rate in Pounds per Acres Based on 55 pounds/bushel																				
7 inch		0.0	27.2	40.4	55.0	70.9	87.9	105.8	124.6	144.0	163.9	184.1	204.5	224.9	245.2	265.2	284.8	303.7	321.9	339.2	355.4	370.5
7.5 inch		0.0	25.4	37.7	51.3	66.2	82.0	98.8	116.3	134.4	152.9	171.8	190.8	209.9	228.9	247.5	265.8	283.5	300.5	316.6	331.8	345.8
8 inch		0.0	23.8	35.4	48.1	62.0	76.9	92.6	109.0	126.0	143.4	161.1	178.9	196.8	214.6	232.1	249.2	265.8	281.7	296.8	311.0	324.1

Eastern Gamma Grass-Pete

Note: Seed cup door should be set on the second notch

		Seed Rate Handle Setting Number																				
		0	5	10	15	20	25	30	35	40	45	50	55	60	65	70	75	80	85	90	95	100
Rows	Drive Type 1	Seed Rate in Pounds per Acres																				
7 inch		0.0	4.5	6.2	8.2	10.5	13.0	15.8	18.7	21.7	24.7	27.8	30.9	33.8	36.7	39.4	41.9	44.1	46.1	47.7	48.9	49.7
7.5 inch		0.0	4.2	5.7	7.6	9.8	12.2	14.7	17.4	20.2	23.1	26.0	28.8	31.6	34.3	36.8	39.1	41.2	43.0	44.5	45.7	46.4
8 inch		0.0	3.9	5.4	7.2	9.2	11.4	13.8	16.3	19.0	21.6	24.3	27.0	29.6	32.1	34.5	36.7	38.6	40.3	41.7	42.8	43.5
Rows	Drive Type 2	Seed Rate in Pounds per Acres																				
7 inch		0.0	9.2	12.7	16.8	21.6	26.8	32.4	38.4	44.6	50.9	57.2	63.5	69.6	75.5	81.0	86.1	90.7	94.7	98.0	100.6	102.2
7.5 inch		0.0	8.6	11.8	15.7	20.1	25.0	30.3	35.8	41.6	47.5	53.4	59.2	64.9	70.4	75.6	80.4	84.7	88.4	91.5	93.9	95.4
8 inch		0.0	8.0	11.1	14.7	18.9	23.5	28.4	33.6	39.0	44.5	50.0	55.5	60.9	66.0	70.9	75.4	79.4	82.9	85.8	88.0	89.4
Rows	Drive Type 3	Seed Rate in Pounds per Acres																				
7 inch		0.0	12.8	18.5	25.0	32.2	40.0	48.2	56.8	65.6	74.5	83.5	92.3	101.0	109.3	117.2	124.5	131.2	137.1	142.1	146.2	149.2
7.5 inch		0.0	11.9	17.3	23.4	30.1	37.3	45.0	53.0	61.2	69.6	77.9	86.2	94.2	102.0	109.4	116.2	122.4	128.0	132.7	136.5	139.2
8 inch		0.0	11.2	16.2	21.9	28.2	35.0	42.2	49.7	57.4	65.2	73.1	80.8	88.3	95.6	102.5	108.9	114.8	120.0	124.4	127.9	130.5
Rows	Drive Type 4	Seed Rate in Pounds per Acres																				
7 inch		0.0	20.8	30.2	40.8	52.6	65.2	78.6	92.6	107.0	121.5	136.1	150.5	164.6	178.2	191.0	203.0	213.9	223.5	231.8	238.4	243.2
7.5 inch		0.0	19.4	28.1	38.1	49.0	60.9	73.4	86.4	99.9	113.4	127.0	140.5	153.6	166.3	178.3	189.5	199.6	208.6	216.3	222.5	227.0
8 inch		0.0	18.2	26.4	35.7	46.0	57.1	68.8	81.0	93.6	106.4	119.1	131.7	144.0	155.9	167.1	177.6	187.2	195.6	202.8	208.6	212.8

Rate Charts, Main Seed Box and Dual Seed Box, continued...

Kentucky Blue Grass

		Seed Rate Handle Setting Number																				
		0	5	10	15	20	25	30	35	40	45	50	55	60	65	70	75	80	85	90	95	100
Rows	Drive Type 1	Seed Rate in Pounds per Acres										Based on 23 pounds/bushel										
7 inch		0.0	1.7	2.5	3.4	4.3	5.4	6.6	7.8	9.0	10.3	11.6	12.8	14.1	15.3	16.4	17.5	18.5	19.3	20.1	20.7	21.2
7.5 inch		0.0	1.6	2.3	3.1	4.1	5.1	6.1	7.3	8.4	9.6	10.8	12.0	13.1	14.3	15.3	16.3	17.2	18.1	18.8	19.3	19.8
8 inch		0.0	1.5	2.2	2.9	3.8	4.7	5.7	6.8	7.9	9.0	10.1	11.2	12.3	13.4	14.4	15.3	16.2	16.9	17.6	18.1	18.5
Rows	Drive Type 2	Seed Rate in Pounds per Acres										Based on 23 pounds/bushel										
7 inch		0.0	3.5	5.1	6.9	8.9	11.1	13.5	16.0	18.5	21.1	23.8	26.4	28.9	31.4	33.7	35.9	38.0	39.8	41.3	42.6	43.5
7.5 inch		0.0	3.3	4.7	6.4	8.3	10.4	12.6	14.9	17.3	19.7	22.2	24.6	27.0	29.3	31.5	33.5	35.4	37.1	38.6	39.7	40.6
8 inch		0.0	3.1	4.4	6.0	7.8	9.7	11.8	14.0	16.2	18.5	20.8	23.1	25.3	27.5	29.5	31.5	33.2	34.8	36.1	37.3	38.1
Rows	Drive Type 3	Seed Rate in Pounds per Acres										Based on 23 pounds/bushel										
7 inch		0.0	5.6	8.4	11.3	14.4	17.6	21.0	24.5	28.0	31.5	35.1	38.6	42.0	45.4	48.6	51.7	54.6	57.2	59.7	61.9	63.7
7.5 inch		0.0	5.3	7.8	10.5	13.4	16.5	19.6	22.8	26.1	29.4	32.7	36.0	39.2	42.3	45.4	48.2	50.9	53.4	55.7	57.7	59.5
8 inch		0.0	4.9	7.3	9.9	12.6	15.4	18.4	21.4	24.5	27.6	30.7	33.7	36.8	39.7	42.5	45.2	47.7	50.1	52.2	54.1	55.8
Rows	Drive Type 4	Seed Rate in Pounds per Acres										Based on 23 pounds/bushel										
7 inch		0.0	9.2	13.6	18.4	23.5	28.8	34.3	39.9	45.6	51.4	57.2	62.9	68.5	74.0	79.2	84.3	89.0	93.3	97.3	100.8	103.9
7.5 inch		0.0	8.9	12.7	17.2	21.9	26.8	32.0	37.2	42.6	48.0	53.4	58.7	63.9	69.0	74.0	78.6	83.0	87.1	90.8	94.1	97.0
8 inch		0.0	8.1	11.9	16.1	20.5	25.2	30.0	34.9	39.9	45.0	50.0	55.0	59.9	64.7	69.3	73.7	77.8	81.7	85.2	88.2	90.9

Millet

		Seed Rate Handle Setting Number																				
		0	5	10	15	20	25	30	35	40	45	50	55	60	65	70	75	80	85	90	95	100
Rows	Drive Type 1	Seed Rate in Pounds per Acres										Based on 60 pounds/bushel										
7 inch		0.0	5.6	7.9	10.7	13.8	17.2	20.8	24.7	28.6	32.8	36.9	41.1	45.3	49.4	53.3	57.2	60.8	64.1	67.2	69.9	72.2
7.5 inch		0.0	5.2	7.4	10.0	12.9	16.0	19.4	23.0	26.7	30.6	34.5	38.4	42.3	46.1	49.8	53.3	56.7	59.8	62.7	65.2	67.4
8 inch		0.0	4.9	6.9	9.4	12.1	15.0	18.2	21.6	25.1	28.7	32.3	36.0	39.6	43.2	46.7	50.0	53.2	56.1	58.8	61.2	63.2
Rows	Drive Type 2	Seed Rate in Pounds per Acres										Based on 60 pounds/bushel										
7 inch		0.0	11.4	16.3	22.0	28.3	35.3	42.8	50.7	58.9	67.3	75.9	84.5	93.1	101.5	109.7	117.5	124.9	131.8	138.1	143.7	148.4
7.5 inch		0.0	10.7	15.2	20.5	26.5	33.0	39.9	47.3	55.0	62.8	70.8	78.9	86.9	94.7	102.3	109.7	116.6	123.0	128.9	134.1	138.5
8 inch		0.0	10.0	14.3	19.2	24.8	30.9	37.4	44.3	51.5	58.9	66.4	73.9	81.4	88.8	95.9	102.8	109.3	115.3	120.8	125.7	129.9
Rows	Drive Type 3	Seed Rate in Pounds per Acres										Based on 60 pounds/bushel										
7 inch		0.0	15.8	23.6	32.4	42.3	53.0	64.4	76.3	88.7	101.4	114.3	127.2	140.0	152.5	164.7	176.4	187.5	197.7	207.1	215.5	222.6
7.5 inch		0.0	14.8	22.0	30.3	39.5	49.4	60.1	71.2	82.8	94.6	106.6	118.7	130.6	142.4	153.7	164.7	175.0	184.6	193.3	201.1	207.8
8 inch		0.0	13.8	20.6	28.4	37.0	46.3	56.3	66.8	77.6	88.7	100.0	111.3	122.5	133.5	144.1	154.4	164.0	173.0	181.2	188.5	194.8
Rows	Drive Type 4	Seed Rate in Pounds per Acres										Based on 60 pounds/bushel										
7 inch		0.0	25.8	38.4	52.9	68.9	86.4	104.9	124.4	144.6	165.3	186.3	207.3	228.2	248.7	268.6	287.6	305.7	322.4	337.7	351.3	363.0
7.5 inch		0.0	24.1	35.9	49.4	64.3	80.6	97.9	116.1	135.0	154.3	173.9	193.5	213.0	232.1	250.7	268.5	285.3	300.9	315.2	327.9	338.8
8 inch		0.0	22.6	33.6	46.3	60.3	75.6	91.8	108.9	126.5	144.7	163.0	181.4	199.7	217.6	235.0	251.7	267.4	282.1	295.5	307.4	317.6

Rate Charts, Main Seed Box and Dual Seed Box, continued...

Milo

		Seed Rate Handle Setting Number																				
		0	5	10	15	20	25	30	35	40	45	50	55	60	65	70	75	80	85	90	95	100
Rows	Drive Type 1	Seed Rate in Pounds per Acres Based on 60 pounds/bushel																				
7 inch		0.0	5.3	8.3	11.8	15.8	20.3	25.2	30.4	35.8	41.4	47.1	52.8	58.5	64.0	69.4	74.5	79.3	83.7	87.6	91.0	93.7
7.5 inch		0.0	5.0	7.7	11.0	14.8	19.0	23.5	28.4	33.4	38.6	43.9	49.3	54.6	59.7	64.8	69.5	74.0	78.1	81.8	84.9	87.5
8 inch		0.0	4.7	7.2	10.3	13.8	17.8	22.0	26.6	31.3	36.2	41.2	46.2	51.2	56.0	60.7	65.2	69.4	73.2	76.6	79.6	82.0
Rows	Drive Type 2	Seed Rate in Pounds per Acres Based on 60 pounds/bushel																				
7 inch		0.0	11.0	17.0	24.2	32.5	41.8	51.8	62.4	73.6	85.1	96.8	108.5	120.2	131.6	142.6	153.1	163.0	172.0	180.0	187.0	192.7
7.5 inch		0.0	10.2	15.8	22.6	30.4	39.0	48.3	58.3	68.7	79.4	90.3	101.3	112.2	122.8	133.1	142.9	152.1	160.5	168.0	174.5	179.8
8 inch		0.0	9.6	14.9	21.2	28.5	36.5	45.3	54.6	64.4	74.4	84.7	95.0	105.1	115.1	124.8	134.0	142.6	150.5	157.5	163.6	168.6

Oats

		Seed Rate Handle Setting Number																				
		0	5	10	15	20	25	30	35	40	45	50	55	60	65	70	75	80	85	90	95	100
Rows	Drive Type 1	Seed Rate in Pounds per Acres Based on 37 pounds/bushel																				
7 inch		0.0	2.1	3.6	5.2	7.1	9.1	11.3	13.6	16.0	18.4	20.9	23.4	25.8	28.3	30.6	32.9	35.1	37.1	38.9	40.5	42.0
7.5 inch		0.0	2.0	3.3	4.9	6.6	8.5	10.6	12.7	14.9	17.2	19.5	21.8	24.1	26.4	28.6	30.7	32.7	34.6	36.3	37.8	39.2
8 inch		0.0	1.8	3.1	4.6	6.2	8.0	9.9	11.9	14.0	16.1	18.3	20.5	22.6	24.7	26.8	28.8	30.7	32.4	34.0	35.5	36.7
Rows	Drive Type 2	Seed Rate in Pounds per Acres Based on 37 pounds/bushel																				
7 inch		0.0	4.3	7.3	10.8	14.6	18.8	23.2	27.9	32.8	37.8	42.9	48.0	53.1	58.1	63.0	67.7	72.1	76.2	80.0	83.3	86.2
7.5 inch		0.0	4.0	6.8	10.0	13.6	17.5	21.7	26.1	30.6	35.3	40.1	44.8	49.6	54.2	58.8	63.1	67.3	71.1	74.6	77.8	80.5
8 inch		0.0	3.8	6.4	9.4	12.8	16.4	20.3	24.4	28.7	33.1	37.6	42.0	46.5	50.9	55.1	59.2	63.1	66.7	70.0	72.9	75.5
Rows	Drive Type 3	Seed Rate in Pounds per Acres Based on 37 pounds/bushel																				
7 inch		0.0	8.0	11.5	16.0	21.5	27.7	34.6	42.0	49.8	57.9	66.1	74.4	82.6	90.5	98.1	105.2	111.8	117.6	122.5	126.5	129.4
7.5 inch		0.0	7.4	10.7	15.0	20.1	25.9	32.3	39.2	46.5	54.0	61.7	69.4	77.1	84.5	91.6	98.2	104.3	109.7	114.3	118.1	120.8
8 inch		0.0	7.0	10.1	14.0	18.8	24.2	30.3	36.7	43.6	50.7	57.9	65.1	72.2	79.2	85.8	92.1	97.8	102.9	107.2	110.7	113.2
Rows	Drive Type 4	Seed Rate in Pounds per Acres Based on 37 pounds/bushel																				
7 inch		0.0	13.0	18.7	26.1	35.0	45.2	56.4	68.5	81.2	94.4	107.8	121.3	134.6	147.6	160.0	171.6	182.2	191.7	199.8	206.2	210.9
7.5 inch		0.0	12.1	17.5	24.4	32.7	42.2	52.6	63.9	75.8	88.1	100.6	113.2	125.6	137.7	149.3	160.1	170.1	178.9	186.4	192.5	196.9
8 inch		0.0	11.4	16.4	22.9	30.6	39.5	49.3	59.9	71.1	82.6	94.3	106.1	117.8	129.1	140.0	150.1	159.4	167.7	174.8	180.5	184.6

Rate Charts, Main Seed Box and Dual Seed Box, continued...

Orchard Grass-Potomac

		Seed Rate Handle Setting Number																				
		0	5	10	15	20	25	30	35	40	45	50	55	60	65	70	75	80	85	90	95	100
Rows	Drive Type 1	Seed Rate in Pounds per Acres Based on 18 pounds/bushel																				
7 inch		0.0	1.3	1.8	2.4	3.1	3.9	4.8	5.8	6.8	7.8	8.9	9.9	11.0	12.0	13.0	13.9	14.7	15.5	16.1	16.6	17.0
7.5 inch		0.0	1.2	1.7	2.2	2.9	3.6	4.5	5.4	6.3	7.3	8.3	9.3	10.2	11.2	12.1	13.0	13.8	14.4	15.0	15.5	15.9
8 inch		0.0	1.1	1.6	2.1	2.7	3.4	4.2	5.0	5.9	6.8	7.8	8.7	9.6	10.5	11.4	12.2	12.9	13.5	14.1	14.6	14.9
Rows	Drive Type 2	Seed Rate in Pounds per Acres Based on 18 pounds/bushel																				
7 inch		0.0	2.7	3.7	4.9	6.4	8.0	9.9	11.8	13.9	16.0	18.2	20.4	22.6	24.7	26.7	28.6	30.3	31.8	33.1	34.2	35.0
7.5 inch		0.0	2.5	3.4	4.6	5.9	7.5	9.2	11.0	13.0	15.0	17.0	19.0	21.1	23.0	24.9	26.7	28.3	29.7	30.9	31.9	32.7
8 inch		0.0	2.3	3.2	4.3	5.6	7.0	8.6	10.3	12.2	14.0	15.9	17.9	19.7	21.6	23.3	25.0	26.5	27.8	29.0	29.9	30.6
Rows	Drive Type 3	Seed Rate in Pounds per Acres Based on 18 pounds/bushel																				
7 inch		0.0	3.9	5.3	7.1	9.2	11.6	14.1	16.9	19.8	22.8	25.8	28.9	32.0	35.0	37.9	40.7	43.3	45.7	47.8	49.7	51.2
7.5 inch		0.0	3.6	5.0	6.6	8.6	10.8	13.2	15.8	18.4	21.2	24.1	27.0	29.8	32.6	35.4	38.0	40.4	42.6	44.6	46.4	47.8
8 inch		0.0	3.4	4.7	6.2	8.1	10.1	12.4	14.8	17.3	19.9	22.6	25.3	28.0	30.6	33.1	35.6	37.9	40.0	41.9	43.5	44.8
Rows	Drive Type 4	Seed Rate in Pounds per Acres Based on 18 pounds/bushel																				
7 inch		0.0	6.3	8.7	11.6	15.0	18.9	23.0	27.5	32.2	37.1	42.1	47.1	52.1	57.0	61.8	66.3	70.6	74.5	78.0	81.0	83.5
7.5 inch		0.0	5.9	8.1	10.8	14.0	17.6	21.5	25.7	30.1	34.6	39.3	44.0	48.6	53.2	57.6	61.9	65.9	69.5	72.8	75.6	78.0
8 inch		0.0	5.5	7.6	10.2	13.1	16.5	20.2	24.1	28.2	32.5	36.8	41.2	45.6	49.9	54.0	58.0	61.7	65.2	68.2	70.9	73.1

Peas

		Seed Rate Handle Setting Number																				
		0	5	10	15	20	25	30	35	40	45	50	55	60	65	70	75	80	85	90	95	100
Rows	Drive Type 1	Seed Rate in Pounds per Acres Based on 61 pounds/bushel																				
7 inch		0.0	2.5	6.1	10.2	14.7	19.5	24.5	29.8	35.2	40.6	46.1	51.4	56.6	61.6	66.3	70.7	74.7	78.2	81.1	83.4	85.1
7.5 inch		0.0	2.3	5.7	9.5	13.7	18.2	22.9	27.8	32.8	37.9	43.0	48.0	52.8	57.5	61.9	66.0	69.7	73.0	75.7	77.9	79.4
8 inch		0.0	2.2	5.3	8.9	12.8	17.0	21.5	26.1	30.8	35.5	40.3	45.0	49.5	53.9	58.1	61.9	65.4	68.4	71.0	73.0	74.5
Rows	Drive Type 2	Seed Rate in Pounds per Acres Based on 61 pounds/bushel																				
7 inch		0.0	5.1	12.6	21.0	30.2	40.0	50.4	61.2	72.3	83.5	94.7	105.7	116.4	126.7	136.4	145.4	153.5	160.7	166.7	171.5	174.9
7.5 inch		0.0	4.8	11.7	19.6	28.1	37.4	47.1	57.2	67.5	77.9	88.4	98.6	108.6	118.2	127.3	135.7	143.3	150.0	155.6	160.1	163.3
8 inch		0.0	4.5	11.0	18.3	26.4	35.0	44.1	53.6	63.3	73.1	82.8	92.5	101.8	110.8	119.3	127.2	134.3	140.6	145.9	150.1	153.1
Rows	Drive Type 3	Seed Rate in Pounds per Acres Based on 61 pounds/bushel																				
7 inch		0.0	3.7	14.0	25.8	38.7	52.6	67.3	82.7	98.4	114.3	130.2	145.9	161.1	175.8	189.6	202.4	213.9	224.0	232.5	239.1	243.7
7.5 inch		0.0	3.5	13.1	24.0	36.1	49.1	62.8	77.1	91.8	106.7	121.5	136.2	150.4	164.1	177.0	188.9	199.7	209.1	217.0	223.2	227.4
8 inch		0.0	3.3	12.3	22.5	33.8	46.0	58.9	72.3	86.1	100.0	113.9	127.6	141.0	153.8	165.9	177.1	187.2	196.0	203.4	209.2	213.2
Rows	Drive Type 4	Seed Rate in Pounds per Acres Based on 61 pounds/bushel																				
7 inch		0.0	6.1	22.9	42.0	63.1	85.8	109.8	134.8	160.4	186.4	212.3	237.8	262.7	286.6	309.1	330.0	348.8	365.3	379.1	389.9	397.3
7.5 inch		0.0	5.7	21.4	39.2	58.9	80.0	102.5	125.8	149.7	173.9	198.1	222.0	245.2	267.5	288.5	308.0	325.5	340.9	353.8	363.9	370.8
8 inch		0.0	5.3	20.0	36.7	55.2	75.0	96.1	117.9	140.4	163.1	185.7	208.1	229.9	250.8	270.5	288.7	305.2	319.6	331.7	341.1	347.6

Rate Charts, Main Seed Box and Dual Seed Box, continued...

Pinto Beans

		Seed Rate Handle Setting Number																				
		0	5	10	15	20	25	30	35	40	45	50	55	60	65	70	75	80	85	90	95	100
Rows	Drive Type 1	Seed Rate in Pounds per Acres Based on 61 pounds/bushel																				
7 inch		0.0	4.8	7.9	11.7	16.1	20.9	26.0	31.5	37.1	42.9	48.7	54.4	60.0	65.4	70.4	75.0	79.2	82.7	85.6	87.7	89.0
7.5 inch		0.0	4.5	7.4	10.9	15.0	19.5	24.3	29.4	34.7	40.0	45.5	50.8	56.0	61.0	65.7	70.0	73.9	77.2	79.9	81.8	83.0
8 inch		0.0	4.2	7.0	10.3	14.1	18.2	22.8	27.5	32.5	37.5	42.6	47.6	52.5	57.2	61.6	65.7	69.3	72.4	74.9	76.7	77.8
Rows	Drive Type 2	Seed Rate in Pounds per Acres Based on 61 pounds/bushel																				
7 inch		0.0	9.9	16.3	24.1	33.0	42.9	53.5	64.7	76.3	88.2	100.1	111.9	123.4	134.4	144.8	154.3	162.7	170.0	175.9	180.3	182.9
7.5 inch		0.0	9.2	15.2	22.5	30.8	40.0	49.9	60.4	71.2	82.3	93.5	104.5	115.2	125.5	135.1	144.0	151.9	158.7	164.2	168.2	170.7
8 inch		0.0	8.6	14.3	21.1	28.9	37.5	46.8	56.6	66.8	77.2	87.6	97.9	108.0	117.6	126.7	135.0	142.4	148.8	153.9	157.7	160.0
Rows	Drive Type 3	Seed Rate in Pounds per Acres Based on 61 pounds/bushel																				
7 inch		0.0	16.4	25.3	36.2	48.7	62.7	77.8	93.8	110.5	127.6	144.8	161.9	178.6	194.7	210.0	224.1	236.8	247.9	257.0	264.1	268.7
7.5 inch		0.0	15.3	23.6	33.8	45.5	58.5	72.6	87.6	103.1	119.1	135.1	151.1	166.7	181.7	196.0	209.1	221.0	231.3	239.9	246.4	250.8
8 inch		0.0	14.3	22.2	31.7	42.6	54.9	68.1	82.1	96.7	111.6	126.7	141.7	156.3	170.4	183.7	196.1	207.2	216.9	224.9	231.0	235.1
Rows	Drive Type 4	Seed Rate in Pounds per Acres Based on 61 pounds/bushel																				
7 inch		0.0	26.7	41.3	59.0	79.5	102.2	126.9	153.0	180.2	208.0	236.1	264.0	291.2	317.5	342.3	365.3	386.1	404.1	419.1	430.5	438.1
7.5 inch		0.0	24.9	38.5	55.1	74.2	95.4	118.4	142.8	168.2	194.1	220.3	246.4	271.8	296.3	319.5	341.0	360.3	377.2	391.1	401.8	408.8
8 inch		0.0	23.4	36.1	51.6	69.5	89.4	111.0	133.9	157.7	182.0	206.6	231.0	254.8	277.8	299.5	319.7	337.8	353.6	366.7	376.7	383.3

Rape

		Seed Rate Handle Setting Number																				
		0	5	10	15	20	25	30	35	40	45	50	55	60	65	70	75	80	85	90	95	100
Rows	Drive Type 1	Seed Rate in Pounds per Acres Based on 51 pounds/bushel																				
7 inch		0.0	4.9	7.3	9.9	12.8	15.8	19.0	22.3	25.8	29.2	32.8	36.4	40.0	43.5	47.0	50.5	53.8	57.0	60.1	63.0	65.7
7.5 inch		0.0	4.5	6.8	9.3	11.9	14.8	17.7	20.8	24.0	27.3	30.6	34.0	37.3	40.6	43.9	47.1	50.2	53.2	56.1	58.8	61.3
8 inch		0.0	4.3	6.4	8.7	11.2	13.8	16.6	19.5	22.5	25.6	28.7	31.8	35.0	38.1	41.1	44.2	47.1	49.9	52.6	55.1	57.5
Rows	Drive Type 2	Seed Rate in Pounds per Acres Based on 51 pounds/bushel																				
7 inch		0.0	10.0	15.0	20.4	26.3	32.5	39.1	45.9	52.9	60.1	67.4	74.8	82.1	89.4	96.7	103.7	110.6	117.2	123.5	129.4	135.0
7.5 inch		0.0	9.3	14.0	19.1	24.5	30.4	36.5	42.8	49.4	56.1	62.9	69.8	76.7	83.5	90.2	96.8	103.2	109.4	115.3	120.8	126.0
8 inch		0.0	8.7	13.1	17.9	23.0	28.5	34.2	40.2	46.3	52.6	59.0	65.4	71.9	78.3	84.6	90.8	96.8	102.5	108.1	113.3	118.1
Rows	Drive Type 3	Seed Rate in Pounds per Acres Based on 51 pounds/bushel																				
7 inch		0.0	15.5	21.5	28.6	36.7	45.6	55.2	65.4	76.0	87.0	98.2	109.4	120.6	131.7	142.4	152.7	162.5	171.6	179.8	187.2	193.5
7.5 inch		0.0	14.4	20.1	26.7	34.2	42.5	51.5	61.0	71.0	81.2	91.6	102.1	112.6	122.9	132.9	142.5	151.7	160.1	167.9	174.4	180.6
8 inch		0.0	13.5	18.8	25.0	32.1	39.9	48.3	57.2	66.5	76.1	85.9	95.8	105.6	115.2	124.6	133.6	142.2	150.1	157.4	163.8	169.3
Rows	Drive Type 4	Seed Rate in Pounds per Acres Based on 51 pounds/bushel																				
7 inch		0.0	25.2	35.0	46.6	59.8	74.3	90.0	106.6	123.9	141.8	160.1	178.4	196.7	214.7	232.2	249.0	264.9	279.7	293.2	305.2	315.4
7.5 inch		0.0	23.5	32.7	43.5	55.8	69.3	84.0	99.5	115.7	132.4	149.4	166.5	183.6	200.4	216.7	232.4	247.3	261.1	273.7	284.8	294.4
8 inch		0.0	22.1	30.7	40.8	52.3	65.0	78.7	93.3	108.5	124.1	140.1	156.1	172.1	187.9	203.2	217.9	231.8	244.8	256.6	267.0	276.0

Rate Charts, Main Seed Box and Dual Seed Box, continued...

Rice-Short Grain

		Seed Rate Handle Setting Number																				
		0	5	10	15	20	25	30	35	40	45	50	55	60	65	70	75	80	85	90	95	100
Rows	Drive Type 1	Seed Rate in Pounds per Acres Based on 43 pounds/bushel																				
7 inch		0.0	2.9	5.4	8.0	10.8	13.8	16.9	20.0	23.2	26.5	29.7	32.9	36.0	39.0	41.9	44.6	47.2	49.5	51.6	53.4	54.8
7.5 inch		0.0	2.7	5.0	7.5	10.1	12.9	15.8	18.7	21.7	24.7	27.7	30.7	33.6	36.4	39.1	41.7	44.0	46.2	48.1	49.8	51.2
8 inch		0.0	2.6	4.7	7.0	9.5	12.1	14.8	17.5	20.3	23.2	26.0	28.8	31.5	34.1	36.7	39.1	41.3	43.3	45.1	46.7	48.0
Rows	Drive Type 2	Seed Rate in Pounds per Acres Based on 43 pounds/bushel																				
7 inch		0.0	6.0	11.0	16.5	22.3	28.4	34.7	41.2	47.8	54.4	61.1	67.6	74.0	80.2	86.2	91.8	97.0	101.8	106.0	109.7	112.7
7.5 inch		0.0	5.6	10.3	15.4	20.8	26.5	32.4	38.4	44.6	50.8	57.0	63.1	69.1	74.9	80.4	85.6	90.5	95.0	98.9	102.4	105.2
8 inch		0.0	5.3	9.7	14.4	19.5	24.8	30.4	36.0	41.8	47.6	53.4	59.2	64.8	70.2	75.4	80.3	84.9	89.0	92.8	96.0	98.6
Rows	Drive Type 3	Seed Rate in Pounds per Acres Based on 43 pounds/bushel																				
7 inch		0.0	12.8	18.2	24.8	32.4	40.7	49.8	59.3	69.2	79.4	89.5	99.6	109.5	118.9	127.8	136.0	143.3	149.6	154.8	158.6	161.0
7.5 inch		0.0	11.9	17.0	23.2	30.2	38.0	46.5	55.4	64.6	74.1	83.6	93.0	102.2	111.0	119.3	126.9	133.7	139.6	144.5	148.0	150.3
8 inch		0.0	11.2	16.0	21.7	28.3	35.6	43.6	51.9	60.6	69.4	78.4	87.2	95.8	104.0	111.8	119.0	125.4	130.9	135.4	138.8	140.9
Rows	Drive Type 4	Seed Rate in Pounds per Acres Based on 43 pounds/bushel																				
7 inch		0.0	20.8	29.7	40.5	52.8	66.4	81.2	96.7	112.9	129.4	146.0	162.4	178.5	193.9	208.4	221.7	233.6	243.9	252.3	258.6	262.5
7.5 inch		0.0	19.4	27.8	37.8	49.3	62.0	75.8	90.3	105.4	120.8	136.3	151.6	166.6	180.9	194.5	206.9	218.1	227.7	235.5	241.4	245.0
8 inch		0.0	18.2	26.0	35.4	46.2	58.1	71.0	84.6	98.8	113.2	127.8	142.1	156.2	169.6	182.3	194.0	204.4	213.5	220.8	226.3	229.7

Rice-Long Grain-Lamont

		Seed Rate Handle Setting Number																				
		0	5	10	15	20	25	30	35	40	45	50	55	60	65	70	75	80	85	90	95	100
Rows	Drive Type 1	Seed Rate in Pounds per Acres Based on 47 pounds/bushel																				
7 inch		0.0	1.0	3.8	6.7	9.7	12.7	15.8	18.9	22.0	25.0	28.0	30.8	33.6	36.3	38.8	41.1	43.2	45.1	46.7	48.1	49.2
7.5 inch		0.0	0.9	3.6	6.3	9.1	11.9	14.8	17.6	20.5	23.3	26.1	28.8	31.4	33.8	36.2	38.3	40.3	42.1	43.6	44.9	45.9
8 inch		0.0	0.9	3.3	5.9	8.5	11.1	13.8	16.5	19.2	21.9	24.5	27.0	29.4	31.7	33.9	35.9	37.8	39.4	40.9	42.1	43.0
Rows	Drive Type 2	Seed Rate in Pounds per Acres Based on 47 pounds/bushel																				
7 inch		0.0	2.1	7.8	13.8	19.9	26.2	32.5	38.8	45.1	51.4	57.5	63.4	69.1	74.5	79.7	84.4	88.8	92.6	96.0	98.8	101.0
7.5 inch		0.0	1.9	7.3	12.9	18.6	24.4	30.3	36.2	42.1	47.9	53.6	59.2	64.5	69.6	74.3	78.8	82.8	86.5	89.6	92.2	94.3
8 inch		0.0	1.8	6.8	12.1	17.4	22.9	28.4	34.0	39.5	44.9	50.3	55.5	60.5	65.2	69.7	73.9	77.7	81.1	84.0	86.5	88.4
Rows	Drive Type 3	Seed Rate in Pounds per Acres Based on 47 pounds/bushel																				
7 inch		0.0	3.5	12.0	20.6	29.4	38.2	47.1	55.9	64.8	73.6	82.3	90.9	99.3	107.6	115.7	123.6	131.2	138.5	145.5	152.1	158.3
7.5 inch		0.0	3.2	11.2	19.3	27.4	35.7	43.9	52.2	60.5	68.7	76.8	84.8	92.7	100.5	108.0	115.3	122.4	129.2	135.8	141.9	147.8
8 inch		0.0	3.0	10.5	18.1	25.7	33.4	41.2	48.9	56.7	64.4	72.0	79.5	86.9	94.2	101.3	108.1	114.8	121.2	127.3	133.1	138.5
Rows	Drive Type 4	Seed Rate in Pounds per Acres Based on 47 pounds/bushel																				
7 inch		0.0	5.7	19.6	33.7	47.9	62.3	76.7	91.2	105.6	119.9	134.2	148.2	162.0	175.5	188.7	201.5	213.9	225.8	237.2	248.0	258.2
7.5 inch		0.0	5.3	18.3	31.4	44.7	58.1	71.6	85.1	98.6	111.9	125.2	138.3	151.2	163.8	176.1	188.1	199.6	210.7	221.3	231.4	240.9
8 inch		0.0	5.0	17.1	29.4	41.9	54.5	67.1	79.8	92.4	105.0	117.4	129.7	141.7	153.6	165.1	176.3	187.1	197.6	207.5	217.0	225.9

Rate Charts, Main Seed Box and Dual Seed Box, continued...

Rye

		Seed Rate Handle Setting Number																				
		0	5	10	15	20	25	30	35	40	45	50	55	60	65	70	75	80	85	90	95	100
Rows	Drive Type 1	Seed Rate in Pounds per Acres Based on 57 pounds/bushel																				
7 inch		0.0	4.4	7.7	11.6	15.9	20.6	25.7	31.1	36.6	42.3	48.1	53.9	59.6	65.2	70.5	75.6	80.4	84.8	88.6	92.0	94.7
7.5 inch		0.0	4.2	7.2	10.8	14.8	19.2	24.0	29.0	34.2	39.5	44.9	50.3	55.6	60.8	65.8	70.6	75.0	79.1	82.7	85.8	88.4
8 inch		0.0	3.9	6.8	10.1	13.9	18.0	22.5	27.2	32.0	37.0	42.1	47.1	52.1	57.0	61.7	66.2	70.4	74.2	77.6	80.5	82.8
Rows	Drive Type 2	Seed Rate in Pounds per Acres Based on 57 pounds/bushel																				
7 inch		0.0	9.1	15.9	23.8	32.7	42.4	52.8	63.8	75.3	87.0	98.9	110.8	122.5	134.0	145.0	155.5	165.3	174.2	182.2	189.0	194.6
7.5 inch		0.0	8.5	14.8	22.2	30.5	39.6	49.3	59.6	70.3	81.2	92.3	103.4	114.3	125.0	135.3	145.1	154.3	162.6	170.0	176.4	181.6
8 inch		0.0	8.0	13.9	20.8	28.6	37.1	46.2	55.9	65.9	76.1	86.5	96.9	107.2	117.2	126.9	136.1	144.6	152.5	159.4	165.4	170.3
Rows	Drive Type 3	Seed Rate in Pounds per Acres Based on 57 pounds/bushel																				
7 inch		0.0	15.7	25.0	36.0	48.7	62.8	78.2	94.5	111.6	129.2	147.3	165.4	183.6	201.4	218.8	235.5	251.3	266.0	279.4	291.3	301.4
7.5 inch		0.0	14.7	23.3	33.6	45.5	58.7	72.9	88.2	104.1	120.6	137.4	154.4	171.3	188.0	204.2	219.8	234.6	248.3	260.8	271.9	281.3
8 inch		0.0	13.8	21.8	31.5	42.6	55.0	68.4	82.7	97.6	113.1	128.8	144.8	160.6	176.3	191.5	206.1	219.9	232.8	244.5	254.9	263.7
Rows	Drive Type 4	Seed Rate in Pounds per Acres Based on 57 pounds/bushel																				
7 inch		0.0	25.6	40.7	58.8	79.5	102.5	127.4	154.0	181.9	210.7	240.1	269.7	299.3	328.4	356.8	384.0	409.8	433.8	455.6	474.9	491.5
7.5 inch		0.0	23.9	38.0	54.8	74.2	95.6	118.9	143.8	169.8	196.6	224.1	251.8	279.3	306.5	333.0	358.4	382.5	404.8	425.2	443.3	458.7
8 inch		0.0	22.4	35.6	51.4	69.5	89.7	111.5	134.8	159.2	184.4	210.1	236.0	261.9	287.4	312.2	336.0	358.6	379.5	398.6	415.6	430.0

Perennial Rye Grass-Palmer

		Seed Rate Handle Setting Number																				
		0	5	10	15	20	25	30	35	40	45	50	55	60	65	70	75	80	85	90	95	100
Rows	Drive Type 1	Seed Rate in Pounds per Acres Based on 36 pounds/bushel																				
7 inch		0.0	2.8	4.1	5.7	7.4	9.2	11.2	13.3	15.4	17.6	19.7	21.9	24.0	26.1	28.1	30.0	31.7	33.2	34.6	35.7	36.6
7.5 inch		0.0	2.6	3.9	5.3	6.9	8.6	10.5	12.4	14.4	16.4	18.4	20.5	22.4	24.4	26.2	28.0	29.6	31.0	32.3	33.3	34.2
8 inch		0.0	2.5	3.6	5.0	6.5	8.1	9.8	11.6	13.5	15.4	17.3	19.2	21.0	22.9	24.6	26.2	27.7	29.1	30.3	31.3	32.0
Rows	Drive Type 2	Seed Rate in Pounds per Acres Based on 36 pounds/bushel																				
7 inch		0.0	5.8	8.5	11.7	15.2	19.0	23.0	27.3	31.7	36.1	40.6	45.1	49.4	53.7	57.7	61.6	65.1	68.3	71.1	73.4	75.3
7.5 inch		0.0	5.4	8.0	10.9	14.2	17.7	21.5	25.5	29.5	33.7	37.9	42.0	46.1	50.1	53.9	57.5	60.8	63.7	66.4	68.5	70.3
8 inch		0.0	5.0	7.5	10.2	13.3	16.6	20.2	23.9	27.7	31.6	35.5	39.4	43.3	47.0	50.5	53.9	57.0	59.8	62.2	64.3	65.9
Rows	Drive Type 3	Seed Rate in Pounds per Acres Based on 36 pounds/bushel																				
7 inch		0.0	11.5	13.9	17.5	22.1	27.5	33.7	40.5	47.7	55.2	62.9	70.6	78.2	85.6	92.5	98.9	104.5	109.4	113.2	116.0	117.4
7.5 inch		0.0	10.8	13.0	16.3	20.6	25.7	31.5	37.8	44.5	51.6	58.7	65.9	73.0	79.9	86.3	92.3	97.6	102.1	105.7	108.2	109.6
8 inch		0.0	10.1	12.2	15.3	19.3	24.1	29.5	35.4	41.7	48.3	55.1	61.8	68.5	74.9	80.9	86.5	91.5	95.7	99.1	101.5	102.8
Rows	Drive Type 4	Seed Rate in Pounds per Acres Based on 36 pounds/bushel																				
7 inch		0.0	18.8	22.7	28.5	36.0	44.9	54.9	66.0	77.8	90.1	102.6	115.2	127.6	139.5	150.8	161.2	170.4	178.3	184.6	189.1	191.5
7.5 inch		0.0	17.6	21.2	26.6	33.6	41.9	51.3	61.6	72.6	84.1	95.8	107.5	119.1	130.2	140.7	150.4	159.1	166.4	172.3	176.5	178.7
8 inch		0.0	16.5	19.9	24.9	31.5	39.3	48.1	57.7	68.1	78.8	89.8	100.8	111.6	122.1	131.9	141.0	149.1	156.0	161.5	165.4	167.5

Rate Charts, Main Seed Box and Dual Seed Box, continued...

Soybeans

		Seed Rate Handle Setting Number																				
		0	5	10	15	20	25	30	35	40	45	50	55	60	65	70	75	80	85	90	95	100
Rows	Drive Type 1	Seed Rate in Pounds per Acres Based on 58 pounds/bushel																				
7 inch		0.0	4.7	8.1	11.9	16.2	20.8	25.6	30.7	35.9	41.1	46.4	51.7	56.8	61.8	66.5	71.0	75.0	78.7	81.8	84.4	86.4
7.5 inch		0.0	4.4	7.6	11.1	15.1	19.4	23.9	28.6	33.5	38.4	43.3	48.2	53.0	57.7	62.1	66.2	70.0	73.4	76.4	78.8	80.7
8 inch		0.0	4.1	7.1	10.4	14.2	18.2	22.4	26.8	31.4	36.0	40.6	45.2	49.7	54.1	58.2	62.1	65.6	68.8	71.6	73.9	75.6
Rows	Drive Type 2	Seed Rate in Pounds per Acres Based on 58 pounds/bushel																				
7 inch		0.0	9.7	16.6	24.5	33.3	42.7	52.6	63.0	73.7	84.5	95.4	106.2	116.8	127.0	136.7	145.9	154.2	161.7	168.2	173.6	177.7
7.5 inch		0.0	9.0	15.5	22.9	31.0	39.8	49.1	58.8	68.8	78.9	89.1	99.1	109.0	118.5	127.6	136.1	143.9	150.9	157.0	162.0	165.8
8 inch		0.0	8.5	14.6	21.5	29.1	37.3	46.0	55.1	64.5	74.0	83.5	92.9	102.2	111.1	119.6	127.6	134.9	141.5	147.2	151.9	155.5
Rows	Drive Type 3	Seed Rate in Pounds per Acres Based on 58 pounds/bushel																				
7 inch		0.0	12.6	24.1	36.6	49.8	63.8	78.4	93.3	108.6	124.0	139.4	154.7	169.7	184.4	198.6	212.1	224.8	236.6	247.4	257.0	265.2
7.5 inch		0.0	11.8	22.5	34.1	46.5	59.6	73.1	87.1	101.3	115.7	130.1	144.4	158.4	172.1	185.3	198.0	209.8	220.9	230.9	239.8	247.5
8 inch		0.0	11.0	21.1	32.0	43.6	55.8	68.6	81.7	95.0	108.5	122.0	135.3	148.5	161.4	173.8	185.6	196.7	207.1	216.5	224.9	232.1
Rows	Drive Type 4	Seed Rate in Pounds per Acres Based on 58 pounds/bushel																				
7 inch		0.0	20.5	39.3	59.6	81.3	104.1	127.8	152.1	177.0	202.1	227.2	252.2	276.8	300.7	323.8	345.8	366.6	385.8	403.4	419.0	432.4
7.5 inch		0.0	19.2	36.7	55.6	75.9	97.1	119.2	142.0	165.2	188.6	212.1	235.4	258.3	280.6	302.2	322.8	342.1	360.1	376.5	391.0	403.6
8 inch		0.0	18.0	34.4	52.2	71.1	91.1	111.8	133.1	154.9	176.8	198.8	220.7	242.2	263.1	283.3	302.6	320.7	337.6	352.9	366.6	378.4

Sunflowers-Dahlgren Confection

		Seed Rate Handle Setting Number																				
		0	5	10	15	20	25	30	35	40	45	50	55	60	65	70	75	80	85	90	95	100
Rows	Drive Type 1	Seed Rate in Pounds per Acres Based on 28 pounds/bushel																				
7 inch		0.0	0.4	1.9	3.7	5.6	7.5	9.6	11.8	14.0	16.2	18.5	20.8	23.0	25.2	27.3	29.3	31.2	33.0	34.6	36.0	37.3
7.5 inch		0.0	0.3	1.8	3.4	5.2	7.0	9.0	11.0	13.1	15.2	17.3	19.4	21.4	23.5	25.4	27.3	29.1	30.8	32.3	33.6	34.8
8 inch		0.0	0.3	1.7	3.2	4.9	6.6	8.4	10.3	12.2	14.2	16.2	18.2	20.1	22.0	23.9	25.6	27.3	28.8	30.2	31.5	32.6
Rows	Drive Type 2	Seed Rate in Pounds per Acres Based on 28 pounds/bushel																				
7 inch		0.0	0.7	4.0	7.6	11.4	15.5	19.8	24.2	28.8	33.4	38.0	42.7	47.2	51.7	56.0	60.2	64.1	67.7	71.1	74.0	76.6
7.5 inch		0.0	0.7	3.7	7.1	10.6	14.5	18.5	22.6	26.9	31.2	35.5	39.8	44.1	48.3	52.3	56.2	59.8	63.2	66.3	69.1	71.5
8 inch		0.0	0.6	3.5	6.6	10.0	13.6	17.3	21.2	25.2	29.2	33.3	37.3	41.3	45.2	49.0	52.7	56.1	59.3	62.2	64.8	67.0
Rows	Drive Type 3	Seed Rate in Pounds per Acres Based on 28 pounds/bushel																				
7 inch		0.0	2.9	6.3	10.4	15.2	20.4	26.0	32.0	38.3	44.8	51.4	58.0	64.5	70.9	77.1	83.0	88.6	93.7	98.2	102.1	105.3
7.5 inch		0.0	2.7	5.9	9.8	14.1	19.0	24.3	29.9	35.8	41.8	47.9	54.1	60.2	66.2	72.0	77.5	82.7	87.4	91.6	95.3	98.3
8 inch		0.0	2.5	5.5	9.1	13.3	17.8	22.8	28.0	33.5	39.2	44.9	50.7	56.5	62.1	67.5	72.7	77.5	81.9	85.9	89.3	92.1
Rows	Drive Type 4	Seed Rate in Pounds per Acres Based on 28 pounds/bushel																				
7 inch		0.0	4.7	10.3	17.0	24.7	33.2	42.4	52.2	62.5	73.0	83.7	94.5	105.2	115.7	125.8	135.4	144.4	152.7	160.1	166.5	171.7
7.5 inch		0.0	4.4	9.6	15.9	23.1	31.0	39.6	48.7	58.3	68.1	78.1	88.2	98.2	107.9	117.4	126.4	134.8	142.5	149.4	155.4	160.3
8 inch		0.0	4.1	9.0	14.9	21.6	29.1	37.1	45.7	54.7	63.9	73.3	82.7	92.0	101.2	110.0	118.5	126.4	133.6	140.1	145.7	150.2

Rate Charts, Main Seed Box and Dual Seed Box, continued...

Wheat-Abeline

		Seed Rate Handle Setting Number																				
		0	5	10	15	20	25	30	35	40	45	50	55	60	65	70	75	80	85	90	95	100
Rows	Drive Type 1	Seed Rate in Pounds per Acres Based on 64 pounds/bushel																				
7 inch		0.0	8.3	10.3	13.2	16.6	20.7	25.3	30.2	35.5	41.1	46.8	52.5	58.2	63.9	69.3	74.4	79.2	83.5	87.2	90.3	92.7
7.5 inch		0.0	7.7	9.7	12.3	15.5	19.3	23.6	28.2	33.2	38.3	43.6	49.0	54.4	59.6	64.7	69.5	73.9	77.9	81.4	84.3	86.6
8 inch		0.0	7.3	9.1	11.5	14.6	18.1	22.1	26.5	31.1	35.9	40.9	46.0	51.0	55.9	60.6	65.1	69.3	73.0	76.3	79.1	81.2
Rows	Drive Type 2	Seed Rate in Pounds per Acres Based on 64 pounds/bushel																				
7 inch		0.0	17.1	21.3	27.0	34.2	42.5	51.9	62.2	73.1	84.4	96.1	108.0	119.7	131.3	142.4	153.0	162.7	171.6	179.3	185.7	190.6
7.5 inch		0.0	15.9	19.8	25.2	31.9	39.7	48.5	58.0	68.2	78.8	89.7	100.8	111.7	122.5	132.9	142.8	151.9	160.1	167.3	173.3	177.9
8 inch		0.0	14.9	18.6	23.7	29.9	37.2	45.4	54.4	63.9	73.9	84.1	94.5	104.8	114.9	124.6	133.8	142.4	150.1	156.9	162.5	166.8
Rows	Drive Type 3	Seed Rate in Pounds per Acres Based on 64 pounds/bushel																				
7 inch		0.0	21.5	29.9	40.0	51.7	64.6	78.7	93.7	109.4	125.6	142.1	158.6	175.0	191.0	206.5	221.2	234.8	247.3	258.4	267.9	275.6
7.5 inch		0.0	20.1	27.9	37.3	48.2	60.3	73.5	87.5	102.2	117.3	132.6	148.0	163.3	178.3	192.7	206.4	219.2	230.9	241.2	250.0	257.2
8 inch		0.0	18.8	26.2	35.0	45.2	56.6	68.9	82.0	95.8	109.9	124.3	138.8	153.1	167.1	180.7	193.5	205.5	216.4	226.1	234.4	241.1
Rows	Drive Type 4	Seed Rate in Pounds per Acres Based on 64 pounds/bushel																				
7 inch		0.0	35.1	48.7	65.2	84.2	105.4	128.4	152.9	178.4	204.8	231.7	258.6	285.3	311.4	336.6	360.6	382.9	403.3	421.4	436.8	449.3
7.5 inch		0.0	32.7	45.5	60.9	78.6	98.4	119.8	142.7	166.6	191.2	216.2	241.4	266.3	290.7	314.2	336.5	357.4	376.4	393.3	407.7	419.3
8 inch		0.0	30.7	42.6	57.1	73.7	92.2	112.3	133.7	156.1	179.2	202.7	226.3	249.7	272.5	294.6	315.5	335.0	352.9	368.7	382.2	393.1

Wheat Grass-Buffalo Brand

		Seed Rate Handle Setting Number																				
		0	5	10	15	20	25	30	35	40	45	50	55	60	65	70	75	80	85	90	95	100
Rows	Drive Type 1	Seed Rate in Pounds per Acres Based on 23 pounds/bushel																				
7 inch		0.0	1.1	1.9	2.8	3.7	4.7	5.7	6.7	7.7	8.8	9.8	10.9	11.9	12.9	13.9	14.9	15.8	16.7	17.5	18.3	18.9
7.5 inch		0.0	1.0	1.8	2.6	3.5	4.4	5.3	6.3	7.2	8.2	9.2	10.2	11.1	12.1	13.0	13.9	14.7	15.6	16.3	17.0	17.7
8 inch		0.0	1.0	1.7	2.5	3.3	4.1	5.0	5.9	6.8	7.7	8.6	9.5	10.4	11.3	12.2	13.0	13.8	14.6	15.3	16.0	16.6
Rows	Drive Type 2	Seed Rate in Pounds per Acres Based on 23 pounds/bushel																				
7 inch		0.0	2.3	4.0	5.8	7.7	9.6	11.7	13.8	15.9	18.1	20.2	22.4	24.5	26.6	28.6	30.6	32.5	34.3	36.0	37.5	38.9
7.5 inch		0.0	2.1	3.7	5.4	7.2	9.0	10.9	12.9	14.8	16.9	18.9	20.9	22.9	24.8	26.7	28.5	30.3	32.0	33.6	35.0	36.3
8 inch		0.0	2.0	3.5	5.0	6.7	8.4	10.2	12.1	13.9	15.8	17.7	19.6	21.4	23.3	25.0	26.8	28.4	30.0	31.5	32.8	34.1
Rows	Drive Type 3	Seed Rate in Pounds per Acres Based on 23 pounds/bushel																				
7 inch		0.0	4.0	6.2	8.6	11.2	14.0	17.0	20.0	23.1	26.3	29.5	32.8	35.9	39.0	42.1	45.0	47.7	50.3	52.6	54.7	56.6
7.5 inch		0.0	3.8	5.8	8.1	10.5	13.1	15.8	18.7	21.6	24.6	27.6	30.6	33.5	36.4	39.3	42.0	44.5	46.9	49.1	51.1	52.8
8 inch		0.0	3.5	5.4	7.6	9.8	12.3	14.8	17.5	20.2	23.0	25.9	28.7	31.4	34.2	36.8	39.3	41.7	44.0	46.0	47.9	49.5
Rows	Drive Type 4	Seed Rate in Pounds per Acres Based on 23 pounds/bushel																				
7 inch		0.0	6.6	10.1	14.1	18.3	22.9	27.7	32.6	37.7	42.9	48.2	53.4	58.6	63.7	68.6	73.3	77.8	82.0	85.8	89.2	92.2
7.5 inch		0.0	6.2	9.5	13.1	17.1	21.4	25.8	30.5	35.2	40.1	45.0	49.8	54.7	59.4	64.0	68.4	72.6	76.5	80.1	83.3	86.1
8 inch		0.0	5.8	8.9	12.3	16.0	20.0	24.2	28.5	33.0	37.6	42.1	46.7	51.3	55.7	60.0	64.1	68.1	71.7	75.1	78.1	80.7

Small Seeds Attachment

To set and calibrate the seeding rate on the optional small seeds attachment, follow these steps:

1. To calibrate, use either the left hand gauge wheel or the supplied calibration crank. If using the calibration crank, attach crank to coupler on gauge wheel jackshaft with retaining pin and disengage lockout on drive wheel.
2. Rotate left hand gauge wheel or calibration crank to see that feed cups and drive are working properly and are free from foreign matter.
3. From the small seeds seed rate charts beginning on page 18, find the setting number for desired feeding rate (and row spacing). Move the small seed cup adjustment lever to that setting number.
4. Record weight of an empty container large enough to hold seed metered for one acre.
5. Place several pounds of seed over three seed cups on an outside end of drill box. Pull seed tubes off of these three openers.
6. Turn drive gauge wheel or calibration crank several times to fill seed cups with seed. Turn wheel or crank until seed falls to the ground from each cup.
7. Rotate drive gauge wheel or calibration crank 595 rotations for the 706 and 411 rotations for the 1006. This is equal to one acre.

Note: You can also rotate the gauge wheel jackshaft by means of a wrench or socket. If rotating gauge wheel jackshaft, disengage the lockout on the drive wheel and use same number of rotations as for rotating drive wheel.

8. Check that the three seed cups have plenty of seed coming into them.
9. Weigh metered seed. Subtract initial weight of container. Divide by three. Multiply by the number of openers on your drill to determine total pounds seeded per acre. If this figure is different than desired, set your seed rate adjustment handle accordingly.

Note: You may want to repeat the calibration procedure if your results vary greatly from seed rate chart.

10. When drilling, check seeding rate by noting acres drilled, amount of seed added to small seed box and seed level in small seeds box. If you are seeding more or less than desired, adjust seeding rate slightly to compensate for field conditions.



Figure 5
Calibration Crank

23386

Drill Model	Revolutions for One	
	Acre	Hectare
706NT	595	1470
1006NT	411	1016

$$\frac{\text{MeasuredSeed} - \text{EmptyContainer}}{3} = \text{PoundsPerSeedCup}$$

$$\text{PoundsPerSeedCup} \times \text{NumberOfOpeners} = \text{PoundsPerAcre}$$

Small Seeds Seed Rate Charts

Metric charts begin on page 43.

Alfalfa, Red Alsike, Crimson Clover

Rows	Small Seeds Cup Lever Setting																				
	0	5	10	15	20	25	30	35	40	45	50	55	60	65	70	75	80	85	90	95	100
	Seeding Rate in Pounds per Acre																				
7 inch	0	0.0	1.9	3.0	4.1	5.1	6.4	7.5	8.4	9.5	10.8	11.8	12.9	14.0	15.0	16.3	17.3	18.3	20.0	20.6	21.6
7.5 inch	0	0.0	1.8	2.8	3.9	4.8	6.0	7.0	7.9	9.0	10.0	11.1	12.1	13.2	14.0	15.3	16.2	17.2	18.3	19.3	20.3
8 inch	0	0.0	1.6	2.6	3.6	4.5	5.6	6.6	7.4	8.4	9.4	10.3	11.3	12.3	13.1	14.0	15.2	16.1	17.1	18.0	18.9
10 inch	0	0.0	1.3	2.1	2.8	3.5	4.4	5.1	5.8	6.6	7.4	8.1	8.9	9.7	10.3	11.2	11.9	12.6	13.4	14.2	14.9

Kentucky Bluegrass, Fescue, Annual Rye Grass

Rows	Small Seeds Cup Lever Setting																				
	0	5	10	15	20	25	30	35	40	45	50	55	60	65	70	75	80	85	90	95	100
	Seeding Rate in Pounds per Acre																				
7 inch	0	0.0	0.2	1.0	1.6	2.3	2.8	3.5	4.0	4.5	5.0	5.4	5.9	6.3	6.7	7.1	7.5	7.9	8.0	8.6	9.0
7.5 inch	0	0.0	0.2	.9	1.5	2.2	2.7	3.3	3.7	4.2	4.6	5.1	5.5	5.9	6.3	6.7	7.0	7.4	7.7	8.1	8.4
8 inch	0	0.0	0.2	0.9	1.4	2.0	2.5	3.0	3.5	3.9	4.3	4.8	5.1	5.5	5.9	6.2	6.6	6.9	7.5	7.5	7.9
10 inch	0	0.0	0.1	0.7	1.1	1.6	2.0	2.4	2.7	3.1	3.4	3.7	4.0	4.3	4.6	4.9	5.2	5.4	5.7	5.9	6.2

Bermuda, Red Top, Lespedeza Unhulled, Sercia, Sand, Weeping Love Grass

Rows	Small Seeds Cup Lever Setting																				
	0	5	10	15	20	25	30	35	40	45	50	55	60	65	70	75	80	85	90	95	100
	Seeding Rate in Pounds per Acre																				
7 inch	0	0.0	0.6	0.9	1.5	2.2	2.8	3.6	4.3	5.1	5.6	6.2	6.7	7.1	7.7	8.1	8.7	9.4	10.0	10.5	11.0
7.5 inch	0	0.0	0.5	0.9	1.4	2.1	2.6	3.3	4.0	4.7	5.3	5.8	6.3	6.7	7.2	7.6	8.2	8.8	9.3	9.8	10.4
8 inch	0	0.0	0.5	0.8	1.3	2.0	2.5	3.1	3.8	4.4	4.9	5.4	5.9	6.5	6.7	7.1	7.6	8.2	8.7	9.2	9.7
10 inch	0	0.0	0.4	0.6	1.0	1.5	1.9	2.4	3.0	3.5	3.9	4.2	4.6	4.9	5.3	5.6	6.0	6.4	6.8	7.2	7.6

Red & Sweet Clover, Lespedeza Hulled

Rows	Small Seeds Cup Lever Setting																				
	0	5	10	15	20	25	30	35	40	45	50	55	60	65	70	75	80	85	90	95	100
	Seeding Rate in Pounds per Acre																				
7 inch	0	0.0	1.3	2.9	4.5	6.1	7.7	9.7	11.3	13.1	14.6	16.3	17.8	19.3	21.0	22.7	24.6	25.8	27.5	29.0	30.5
7.5 inch	0	0.0	1.2	2.7	4.2	5.7	7.2	9.1	10.6	12.3	13.7	15.3	16.7	18.1	19.7	21.2	22.7	24.2	25.8	27.2	28.6
8 inch	0	0.0	1.1	2.5	3.9	5.3	6.7	8.5	9.9	11.5	12.8	14.3	15.6	16.9	18.3	19.8	21.2	22.6	24.1	25.4	26.7
10 inch	0	0.0	0.9	2.0	3.1	4.2	5.3	6.7	7.8	9.0	10.0	11.2	12.2	13.3	14.4	15.6	16.6	17.8	18.9	19.9	20.9

Rate Charts, Small Seeds Box, continued...

Orchard Grass

Rows	Small Seeds Cup Lever Setting																				
	0	5	10	15	20	25	30	35	40	45	50	55	60	65	70	75	80	85	90	95	100
7 inch	0	0.0	0.0	0.2	0.6	.7	1.1	1.3	1.7	2.1	2.4	2.8	3.0	3.4	3.7	4.1	4.3	4.7	5.0	5.2	5.4
7.5 inch	0	0.0	0.0	0.2	0.5	0.7	1.1	1.2	1.6	1.9	2.3	2.6	2.8	3.2	3.5	3.9	4.0	4.4	4.6	4.9	5.1
8 inch	0	0.0	0.0	0.2	0.5	0.7	1.0	1.1	1.5	1.8	2.1	2.5	2.6	2.9	3.3	3.6	3.8	4.1	4.3	4.6	4.8
10 inch	0	0.0	0.0	0.1	0.4	0.5	.8	0.9	1.2	1.4	1.7	1.9	2.1	2.3	2.6	2.8	3.0	3.2	3.3	3.6	3.7

Millet, Reed Canary

Rows	Small Seeds Cup Lever Setting																				
	0	5	10	15	20	25	30	35	40	45	50	55	60	65	70	75	80	85	90	95	100
7 inch	0	0.4	1.2	2.1	3.0	3.8	4.7	5.6	6.4	7.3	8.1	9.0	9.9	10.7	11.6	12.5	13.3	14.2	15.1	15.9	16.1
7.5 inch	0	0.3	1.2	2.0	2.8	3.6	4.4	5.2	6.0	6.8	7.6	8.4	9.3	10.1	10.9	11.7	12.5	13.3	14.1	14.9	15.1
8 inch	0	0.3	1.1	1.8	2.6	3.3	4.1	4.9	5.6	6.4	7.1	7.9	8.6	9.4	10.2	10.9	11.7	12.4	13.2	13.9	14.1
10 inch	0	0.3	0.8	1.4	2.0	2.6	3.2	3.8	4.4	5.0	5.6	6.2	6.8	7.4	8.0	8.6	9.2	9.8	10.4	10.9	11.5

Ladino Clover, Canary Grass, Timothy, Canola

Rows	Small Seeds Cup Lever Setting																				
	0	5	10	15	20	25	30	35	40	45	50	55	60	65	70	75	80	85	90	95	100
7 inch	0	0.0	0.9	1.7	2.8	4.1	5.2	6.6	7.9	9.2	10.5	11.8	13.3	14.6	15.9	17.4	18.7	20.0	22.0	23.4	25.1
7.5 inch	0	0.0	0.9	1.6	2.6	3.9	4.9	6.1	7.4	8.6	9.8	11.1	12.5	13.7	14.9	16.3	17.6	18.8	20.4	21.9	23.5
8 inch	0	0.0	0.8	1.5	2.5	3.6	4.6	5.7	6.9	8.0	9.2	10.3	11.6	12.8	13.9	15.2	16.4	17.5	19.0	20.5	21.9
10 inch	0	0.0	0.6	1.5	1.9	2.5	3.6	4.5	5.4	6.3	7.2	8.1	9.1	10.0	10.9	12.0	12.9	13.8	14.9	16.1	17.2

Birdsfoot, Trefoil, Sudan

Rows	Small Seeds Cup Lever Setting																				
	0	5	10	15	20	25	30	35	40	45	50	55	60	65	70	75	80	85	90	95	100
7 inch	0	0.0	1.5	2.8	4.5	5.8	7.5	9.2	10.9	12.5	14.4	16.5	18.2	20.0	21.9	24.0	25.6	27.5	29.0	31.1	32.9
7.5 inch	0	0.0	1.4	2.6	4.2	5.4	7.0	8.6	10.2	11.9	13.5	15.4	17.0	18.8	20.5	22.5	24.0	25.8	27.6	29.1	30.9
8 inch	0	0.0	1.3	2.5	3.9	5.1	6.6	8.1	9.5	11.0	12.6	14.4	15.9	17.5	19.2	21.0	22.4	24.1	25.7	27.2	28.8
10 inch	0	0.0	1.0	1.9	3.1	4.0	5.1	6.3	7.5	8.6	9.9	11.3	12.5	13.8	15.1	16.5	17.6	18.9	20.2	21.4	22.7

Native Grass Attachment Series II

The Native Grass box is for seeding fluffy, native grass blends like Big Blue Stem, Indian Grass, and Oats Grama.

Setting Native Grass Rate

Refer to *Figure 6* and *Figure 7*

Seeding rate of the native Grass box is controlled by the gearbox Drive Type ① and a Driven sprocket ② on the gearbox output chain. Rate levers on other boxes do not affect Native Grass rate.

Setting rate for Native Grass mixes (other than Brome) rate requires calibration, which is done using any current Drive Type and Driven sprocket combination. The results of the calibration determine the actual Drive Type and Driven sprocket to use. The process is:

- Meter a sample using the calibration crank.
- Weigh the sample and use that value in the calibration formulas.
- Find the final drive setup in the chart.

A step-by-step table and example follow the detailed Native Grass Mix instructions on page 21.

Instructions and chart for Brome are on page 25.

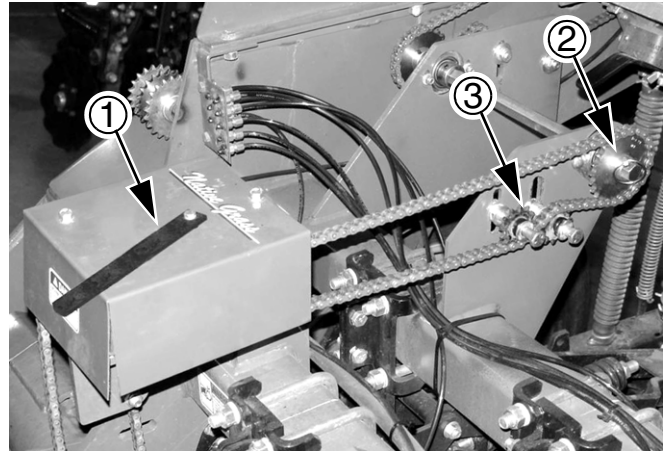


Figure 6
Native Grass Drive Type

20484

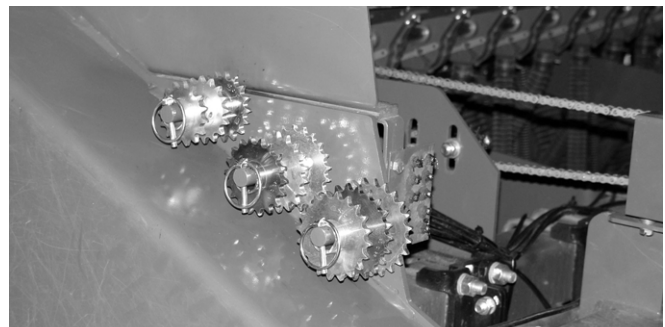


Figure 7
Driven Sprocket Storage

20483

Great Plains Calibration for Series II Native Grass Drills

Our method for calibration will work on any type of native grass no matter what seed type, weight, or density. See page 25 for steps specific to Brome.

We give you the drill's revolutions per acre at the native grass cup and allow you to calibrate the output in pounds by cup sprocket revolution per acre.

This is the most consistent calibration procedure that will work on all types of native grasses.

Note: It is necessary to calibrate for the seed mix before setting seed rate.

To calibrate seed mix:

1. Record the weight of an empty container large enough to hold seed metered from the native grass box.
2. Fill three or more compartments at least $\frac{1}{2}$ full of seed in the native grass box. Pull seed hoses off openers under the compartments.

Refer to Figure 8

3. To calibrate, use right-hand gauge wheel or supplied calibration crank.
4. To calibrate using right-hand gauge wheel, lower the drill hydraulically to planting position in order to activate clutch. Raise right drive wheel tire off the ground using a jack. Engage gauge wheel lockout on the right-hand side.
5. To calibrate using calibration crank, disengage gauge wheel lockout, and attach calibration crank to coupler on right-hand side of gauge wheel jackshaft using retaining pin.
6. Turn gauge wheel or crank several times to fill seed cups with seed. Continue to turn gauge wheel or crank until seed falls to the ground from each cup.
7. Place the empty container under three seed hoses to gather the seed as it is metered.

Refer to Figure 6

8. Note the Drive Type ① on the gearbox (1, 2, 3, 4) and the range sprocket ② (15 through 24 tooth sprockets). **This information will be used later in the calibration process.**
9. Rotate gauge wheel or calibration crank for one acre. See table at right for rotations per acre.
10. Check that the three seed cups have plenty of seed coming into them.



Figure 8
Calibration Crank

23386

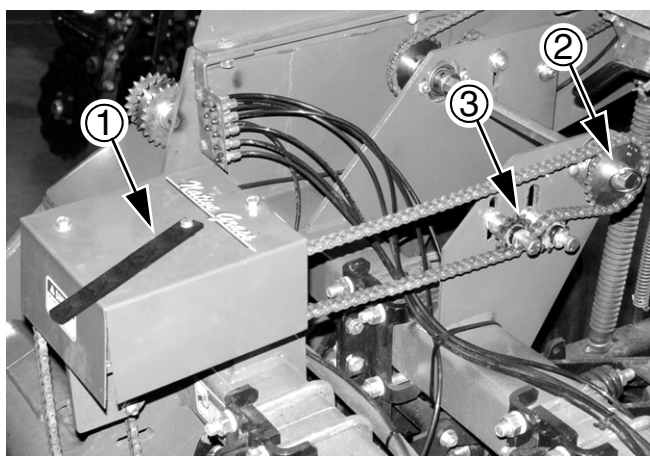


Figure 9
Native Grass Drive Type

20484

Drill Model	Revolutions for One	
	Acre	Hectare
706NT	595	1470
1006NT	411	1016

11. Weigh metered seed, and subtract the initial weight of the container. Divide this number by 3 (number of cups metered). Finally, multiply by the number of openers on the drill. This equals the pounds per acre at this drive setting. Refer to the formulas on the right.

Note: Refer to the drive setting chart on page 24, the numbers listed are the number of revolutions of the native grass meter shaft at a particular drive type and sprocket range.

12. To adjust this number, take the pounds per acre divided by the shaft revolutions. This is the pounds per shaft revolution.
13. Divide desired rate of pounds per acre by the pounds per shaft revolution (this is the number obtained from step 12). Find this number (or the closest number to this) in the drive setting chart. This will give the gearbox drive type and the range sprocket size.

Refer to Figure 7

14. Set the Drive Type lever to the chart value.
15. Determine which sprocket is required for the native grass box. The sprockets are stored on the right-hand side of the drill frame.

To change sprockets, loosen the chain idlers.

Replace with desired sprocket.

Note: All native grass mixes will vary in weight, seed type, and density, so this is why you must calibrate each mix.

16. When drilling, check the amount of seed you are using by noting the acres drilled, amount of seed added to drill, and the level of seed in the box. If you suspect you are drilling more or less seed than desired, and you have accurately calibrated the drill to you seed, you may need to change your sprocket arrangement to compensate for your field conditions.

$$\frac{\text{MeasuredSeed} - \text{EmptyContainer}}{3} = \text{PoundsPerSeedCup}$$

$$\text{PoundsPerSeedCup} \times \text{NumberOfOpeners} = \text{PoundsPerAcre}$$

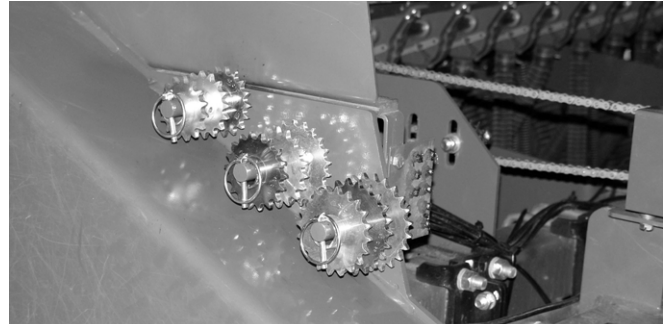


Figure 10
Select NG Driven Sprocket

20483

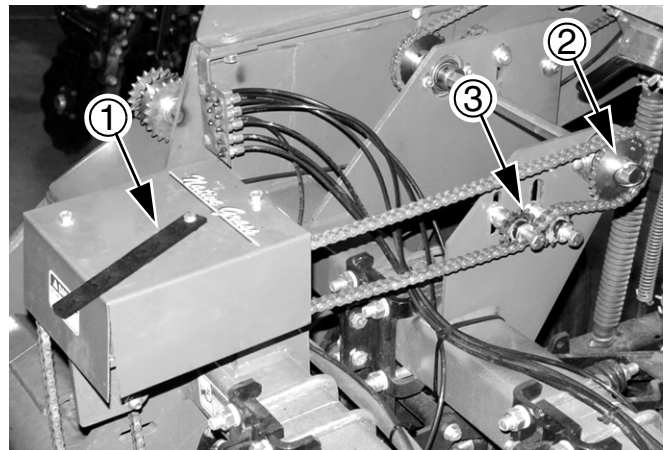


Figure 11
Set Native Grass Drive Type

20484

Calibration Formulas and Sample Calibration

Formulas

Know your Desired seed rate in pounds per acre

Weigh the empty sample container(s)

Operate crank/gauge wheel for one acre

Weigh the collected seed plus container(s)

Calculate the sampled rate at each seed cup.

$$\frac{\text{MeasuredSeed} - \text{WeightOfEmptyContainer}}{3} = \text{SampledPoundsPerSeedCup}$$

Calculate the sampled rate for all rows working:

$$\text{PoundsPerSeedCup} \times \text{NumberOfOpeners} = \text{SampledPoundsPerAcre}$$

Note the current Drive Type and sprocket setting.

In the chart on page 24, find the Cup Revolutions Per Acre for the tested configuration.

Calculate the Sampled pounds per cup revolution

$$\frac{\text{SampledPoundsPerAcre}}{\text{CupRevolutionsPerAcre}} = \text{SampledPoundsPerCupRevolution}$$

Calculate the Target cup revolutions per acre

$$\frac{\text{DesiredSeedRate}}{\text{SampledPoundsPerCupRevolution}} = \text{TargetCupRevolutionsPerAcre}$$

In the chart on page 24, find the table cell with the value closest to the Target. Use the Drive Type and Sprocket shown for that cell.

Factors which will affect seeding rates are: weight of seed, size of seed, relative humidity and moisture content of the seed, ratio of inert material to seed, different proportions of seed types affecting density, tire configuration, tire pressure, and tire slippage.

All seed mixes will vary.

The rates are based on 9.00 x 24 8-Ply tires.

Example

For this example, a target value of:
32 PoundsPerAcre

For this example, three 1.5# buckets:
4.5 pounds

For this example, a model 1006NT:
411 revolutions

In this example:
9.5 pounds

Assuming 3 cups sampled.

$$\frac{9.5 - 4.5}{3} = 1.66(\text{PoundsPerSeedCup})$$

For this example, a 15-row 1006NT:

$$1.66 \times 15 = 24.9(\text{PoundsPerAcre})$$

For this example:

Drive Type 1
Sprocket: 24T

The table cell at Drive Type 1 / 24T is:
50.02 (CupRevolutionsPerAcre)

This is essentially a correction factor:

$$\frac{24.9}{50.02} = 0.498(\text{PoundsPerCupRev})$$

Our Target Cup Rate:

$$\frac{32}{0.498} = 64.28(\text{CupRevsPerAcre})$$

The drive configuration for that target:

Cell: 63.19
Drive Type: 1
Sprocket: 19

Refer to Figure 12

The Series II Native Grass attachment includes this standard agitator.

To prevent damage to the Native Grass box agitator and its drive components, do not transport drill with Native Grass box loaded with seed.

For Native Grass Mix Only

Powdered graphite may be mixed with the native grass seed mix to improve seed flow and metering.

Recommended Usage:

Sprinkle 1/3 cup of graphite per 6 ft of seed box on top of the native grass seed mix.

For humid planting environments, double or triple rate as needed.

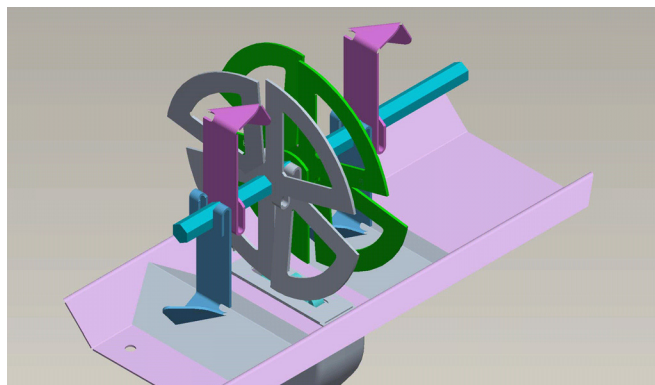


Figure 12
Series II Agitator

25041

Native Grass Cup Rates

Metric charts are on page 45.

Model 706NT (7.5 inch Row Spacing)

Driven Sprocket	15	16	17	18	19	20	21	22	23	24
Drive Type	Seed Cup Revolutions per Acre									
1	115.03	107.84	101.49	95.86	90.81	86.27	82.16	78.43	75.02	71.89
2	236.44	221.67	208.63	197.04	186.67	177.33	168.89	161.21	154.20	147.78
3	354.67	332.50	312.94	295.56	280.00	266.00	253.33	241.82	231.30	221.67
4	578.58	542.41	510.51	482.15	456.77	433.93	413.27	394.48	377.33	361.61

Model 1006NT (7.5 inch Row Spacing)

Driven Sprocket	15	16	17	18	19	20	21	22	23	24
Drive Type	Seed Cup Revolutions per Acre									
1	80.04	75.03	70.62	66.70	63.19	60.03	57.17	54.57	52.20	50.02
2	164.52	154.24	145.16	137.10	129.88	123.39	117.51	112.17	107.29	102.82
3	246.78	231.35	217.74	205.65	194.82	185.08	176.27	168.26	160.94	154.24
4	402.57	377.41	355.21	335.48	317.82	301.93	287.55	274.48	262.55	251.61

Seeding Brome Grass with Native Grass Box

The calibration for seeding Brome Grass differs from the native Grass Mix calibration. The chart provides an initial (pre-calibration) value in pounds per acre.

To adjust seeding rate:

1. Find the desired pounds per acre on the Brome Grass Rate Chart (page 27).

Refer to Figure 14

2. Determine which Driven sprocket ① is required for brome grass. The sprockets are stored on the right-hand side of the drill frame.

To change sprockets, loosen the chain idlers ②.

Replace with desired sprocket ①.

Refer to Figure 13

3. Move gearbox selector handle ③ to desired drive type.

Checking Seed Rate

4. Record weight of an empty container large enough to hold seed metered for one acre.
5. Fill three or more compartments at least 1/2 full of seed at the outboard end of the box. Pull seed tubes off the openers under the compartments.
6. To calibrate, use right-hand gauge wheel or supplied calibration crank.
7. To calibrate using right-hand gauge wheel, lower the drill hydraulically to planting position to activate clutch. Raise right drive wheel tire off the ground using a jack. Engage the gauge wheel lockout on the right-hand side.

Refer to Figure 15

8. To calibrate using calibration crank, attach calibration crank to coupler on right-hand side of gauge wheel jackshaft using retaining pin.
9. Turn gauge wheel or crank several times to fill seed cups with seed. Continue to turn wheel or calibration crank until seed falls to the ground from each cup.
10. Place empty container under the three seed tubes to gather seed as it is metered.

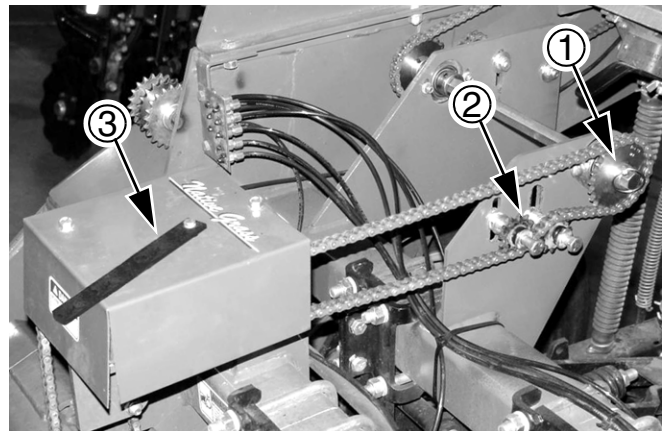


Figure 13
Brome: Drive Type

20484



Figure 14
Brome: Sprocket Storage

20483



Figure 15
Brome: Calibration Crank

23386

11. Rotate gauge wheel or calibration crank one acre. See table at right for revolutions per acre.

Note: You can also rotate the gauge wheel jackshaft by means of a wrench or socket. If rotating gauge wheel jackshaft, disengage the lockout on the drive wheel and use same number of rotations as for rotating drive wheel.

12. Check that the three seed cups have plenty of seed coming into them.
13. Weight metered seed. Subtract initial weight of container. Divide by three. Multiply by the number of openers on the drill to determine total pounds seeded per acre. If this figure is different than desired, change your sprockets and drive type accordingly.

Note: You may want to repeat the calibration procedure if your results vary greatly from seed rate chart.

The chart on page 27 is to be used as a reference to your own brome grass mix. All brome grass mixes vary so this is why you must calibrate each mix using the chart only as a starting point.

14. When drilling, check the amount of seed you are using by noting the acres drilled, amount of seed added to drill, and the level of seed in the box. If you suspect you are drilling more or less seed than desired, and you have accurately calibrated the drill to your seed, you may need to change your sprocket arrangement to compensate for your field conditions.

Factors which will affect seeding rates are: weight of seed, size of seed, relative humidity and moisture content of seed, ratio of inert material to seed, different proportions of seed types affecting density, tire configuration, tire pressure, and tire slippage.

All seed mixes will vary.

The rates are based on 9.00 x 24 8-Ply tires.

Drill Model	Revolutions for One	
	Acre	Hectare
706NT	595	1470
1006NT	411	1016

$$\frac{\text{MeasuredSeed} - \text{EmptyContainer}}{3} = \text{PoundsPerSeedCup}$$

$$\text{PoundsPerSeedCup} \times \text{NumberOfOpeners} = \text{PoundsPerAcre}$$

Brome Grass Native Grass Rates

	Driven Sprocket	15	16	17	18	19	20	21	22	23	24
Rows	Drive Type	Seeding Rate in Pounds Per Acre									
7 inch	1	9.2	8.6	8.1	7.7	7.3	6.9	6.6	6.3	6.0	5.8
	2	18.9	17.7	16.7	15.8	14.9	14.2	13.5	12.9	12.3	11.8
	3	28.4	26.6	25.0	23.6	22.4	21.3	20.3	19.3	18.5	17.7
	4	46.3	43.4	40.8	38.5	36.5	34.7	33.0	31.5	30.2	28.9
7.5 inch	1	8.6	8.1	7.6	7.2	6.8	6.4	6.1	5.9	5.6	5.4
	2	17.7	16.5	15.6	14.7	13.9	13.2	12.6	12.0	11.5	11.0
	3	26.5	24.8	23.4	22.1	20.9	19.9	18.9	18.1	17.3	16.5
	4	43.2	40.5	38.1	36.0	34.1	32.4	30.8	29.4	28.2	27.0
8 inch	1	8.1	7.5	7.1	6.7	6.4	6.0	5.8	5.5	5.3	5.0
	2	16.5	15.5	14.6	13.8	13.1	12.4	11.8	11.3	10.8	10.3
	3	24.8	23.3	21.9	20.7	19.6	18.6	17.7	16.9	16.2	15.5
	4	40.5	37.9	35.7	33.7	32.0	30.4	28.9	27.6	26.4	25.3

Fertilizer Rate

Fertilizer application rates will vary with fertilizer type, density and particle size. Relative humidity and field conditions can also affect application rates. The chart on page 29 is based on material with a density of 65 pounds per cubic foot (1.04 kg/L) and average particle size. Initially set rate according to the charts, then calibrate the drill to your material as described below.

Refer to *Figure 16*

1. To calibrate using gauge wheels, raise drill with tractor hydraulics so drive wheels are off the ground. To calibrate using supplied calibration crank, attach crank to coupler on gauge wheel jackshaft with retaining pin. Disengage lockout on the drive wheels.
2. Rotate drive wheels or calibration crank to see that metering system is working properly and free from foreign material.
3. From the chart on page 29, find the setting number for your row spacing and desired application rate. Rotate gate adjustment knob to the number obtained from the chart.
4. Check that gauge-wheel tires are the correct size and properly inflated. Refer to **“Tire Inflation Chart”** in the operator’s manual.
5. Record the weight of an empty container large enough to hold fertilizer metered for one acre.
6. Place several pounds of fertilizer over three fertilizer feed cups on outside end of drill box. Pull fertilizer tubes off these three openers.
7. Turn gauge wheels or calibration crank a few turns to fill feed cups with material. Continue to turn until fertilizer drops to the ground from all three tubes.
8. Place a container under the three tubes to gather metered fertilizer.
9. Turn gauge wheel or calibration crank for: 595 rotations for the 706 drill and 411 rotations for the 1006 drill. This is equal to one acre.
10. Check that the three feed cups have plenty of fertilizer coming into them.
11. Weigh metered material. Subtract initial weight of the empty container. Divide by 3. Multiply by the number of openers on your drill to determine total pounds-per-acre metered. If this figure is different than desired, reset adjustment knob accordingly.



Figure 16
Calibration Crank

23386

The fertilizer rate chart is for granular fertilizer with a density of 65 pounds per cubic foot (1.04 kg/L). If you are applying fertilizer with a different density, use the density conversion chart.

Note: You can also rotate the gauge wheel jackshaft by means of a wrench or socket. If rotating gauge wheel jackshaft, disengage the lockout on the drive wheel and use same number of rotations as for rotating drive wheel.

Drill Model	Revolutions for One	
	Acre	Hectare
706NT	595	1470
1006NT	411	1016

$$\frac{\text{MeasuredMaterial} - \text{EmptyContainer}}{3} = \text{PoundsPerDropTube}$$

$$\text{PoundsPerDropTube} \times \text{NumberOfTubes} = \text{PoundsPerAcre}$$

Fertilizer Rate Chart

Metric chart is on page 46.

Rates in Pounds per Acre

Rows	Setting Number																	
	15	20	25	30	35	40	45	50	55	60	65	70	75	80	85	90	95	100
	Application Rate - Pounds per Acre																	
7 inch	13	23	41	57	78	95	111	131	148	165	184	199	221	235	246	256	259	261
7.5 inch	11	20	38	54	72	89	105	123	138	157	174	187	209	223	234	242	245	247
8 inch	11	20	36	50	69	84	98	115	130	146	163	176	195	207	219	226	228	231
10 inch	8	16	29	40	54	67	79	92	104	118	131	140	157	167	175	182	183	185

Density Conversion Charts

The fertilizer meter rate charts are based on fertilizer with a density of 65 pounds per cubic foot (1.04 kilograms per liter). If you are applying fertilizer of a different density, use the following table to convert application rate.

Density, lb/ft ³	45.0	50.0	55.0	60.0	65.0	70.0	75.0	80.0
Conversion Factor	1.45	1.30	1.20	1.10	1.00	0.93	0.87	0.81

Example: Your fertilizer has a density of 75 pounds per cubic foot, and you want to apply 100 pounds per acre. Multiply the desired application rate by the conversion factor.

$$100 \times 0.87 = 87$$

Adjust drill to the setting closest to 87 pounds per acre.



Metric Rate Charts

Metric Rate Charts, Main Seed Box and Dual Seed Box

Main seed box instructions are on page 1.
 Charts in U.S. customary units begin on page 5.

Alfalfa

Metric	Seed Rate Handle Setting Number																													
	0	5	10	15	20	25	30	35	40	45	50	55	60	65	70	75	80	85	90	95	100									
Rows	Drive Type 1										Seed Rate in Kilograms per Hectare										Based on 0.77 kg/Liter									
17.8 cm (6in)	0	6.0	8.8	12.0	15.5	19.3	23.4	27.8	32.4	37.1	41.9	46.8	51.7	56.6	61.5	66.3	70.9	75.3	79.6	83.5	87.2									
19.1 cm (7.5in)	0	5.6	8.2	11.2	14.4	18.0	21.9	26.0	30.2	34.6	39.1	43.7	48.3	52.9	57.4	61.8	66.2	70.3	74.2	77.9	81.3									
20.3 cm (8in)	0	5.3	7.7	10.5	13.5	16.9	20.5	24.3	28.3	32.4	36.7	41.0	45.3	49.6	53.8	58.0	62.0	65.9	69.6	73.1	76.3									
Rows	Drive Type 2										Seed Rate in Kilograms per Hectare										Based on 0.77 kg/Liter									
17.8 cm (6in)	0	12.4	18.1	24.6	31.8	39.7	48.2	57.2	66.5	76.2	86.1	96.2	106.3	116.4	126.4	136.2	145.7	154.8	163.5	171.6	179.1									
19.1 cm (7.5in)	0	11.6	16.9	22.9	29.7	37.1	45.0	53.3	62.1	71.1	80.4	89.8	99.3	108.7	118.0	127.1	136.0	144.5	152.6	160.2	167.2									
20.3 cm (8in)	0	10.9	15.8	21.5	27.8	34.7	42.2	50.0	58.2	66.7	75.4	84.2	93.0	101.9	110.6	119.2	127.5	135.5	143.1	150.2	156.8									
Rows	Drive Type 3										Seed Rate in Kilograms per Hectare										Based on 0.77 kg/Liter									
17.8 cm (6in)	0	20.1	28.4	37.9	48.5	60.0	72.4	85.4	99.0	113.1	127.4	141.9	156.5	170.9	185.1	198.9	212.3	225.0	236.9	248.0	258.0									
19.1 cm (7.5in)	0	18.8	26.5	35.4	45.2	56.0	67.5	79.7	92.4	105.5	118.9	132.5	146.0	159.5	172.8	185.7	198.1	210.0	221.1	231.5	240.8									
20.3 cm (8in)	0	17.6	24.9	33.2	42.4	52.5	63.3	74.7	86.7	98.9	111.5	124.2	136.9	149.5	162.0	174.1	185.7	196.9	207.3	217.0	225.8									
Rows	Drive Type 4										Seed Rate in Kilograms per Hectare										Based on 0.77 kg/Liter									
17.8 cm (6in)	0	32.8	46.3	61.8	79.0	97.8	118.0	139.3	161.5	184.4	207.8	231.4	255.1	278.6	301.8	324.3	346.1	366.8	386.3	404.3	420.7									
19.1 cm (7.5in)	0	30.6	43.2	57.7	73.8	91.3	110.1	130.0	150.7	172.1	193.9	216.0	238.1	260.0	281.7	302.7	323.0	342.4	360.5	377.4	392.6									
20.3 cm (8in)	0	28.7	40.5	54.1	69.2	85.6	103.3	121.9	141.3	161.3	181.8	202.5	223.2	243.8	264.1	283.8	302.8	321.0	338.0	353.8	368.1									

Metric Rate Charts, Main Seed Box and Dual Seed Box, continued...

Barley-Schuyler

Metric	Seed Rate Handle Setting Number																													
	0	5	10	15	20	25	30	35	40	45	50	55	60	65	70	75	80	85	90	95	100									
Rows	Drive Type 1										Seed Rate in Kilograms per Hectare										Based on 0.66 kg/Liter									
17.8 cm (6in)	0	6.2	8.3	11.0	14.3	18.0	22.1	26.6	31.2	36.1	40.9	45.8	50.6	55.3	59.7	63.7	67.4	70.6	73.2	75.2	76.5									
19.1 cm (7.5in)	0	5.8	7.7	10.3	13.3	16.8	20.7	24.8	29.2	33.7	38.2	42.8	47.3	51.6	55.7	59.5	62.9	65.9	68.3	70.2	71.4									
20.3 cm (8in)	0	5.4	7.2	9.6	12.5	15.8	19.4	23.3	27.3	31.6	35.8	40.1	44.3	48.4	52.2	55.8	59.0	61.8	64.1	65.8	66.9									
Rows	Drive Type 2										Seed Rate in Kilograms per Hectare										Based on 0.66 kg/Liter									
17.8 cm (6in)	0	12.7	17.0	22.6	29.3	37.0	45.5	54.6	64.2	74.1	84.2	94.2	104.1	113.6	122.6	131.0	138.5	145.1	150.5	154.6	157.3									
19.1 cm (7.5in)	0	11.9	15.9	21.1	27.4	34.6	42.5	51.0	59.9	69.2	78.6	87.9	97.1	106.0	114.5	122.3	129.3	135.4	140.5	144.3	146.8									
20.3 cm (8in)	0	11.1	14.9	19.8	25.7	32.4	39.8	47.8	56.2	64.9	73.7	82.4	91.1	99.4	107.3	114.6	121.2	127.0	131.7	135.3	137.6									
Rows	Drive Type 3										Seed Rate in Kilograms per Hectare										Based on 0.66 kg/Liter									
17.8 cm (6in)	0	18.0	25.6	34.6	44.8	56.1	68.4	81.4	95.0	109.0	123.2	137.6	151.9	166.0	179.7	192.8	205.2	216.6	227.1	236.3	244.1									
19.1 cm (7.5in)	0	16.8	23.9	32.2	41.8	52.4	63.8	75.9	88.6	101.7	115.0	128.4	141.8	154.9	167.7	179.9	191.5	202.2	211.9	220.6	227.9									
20.3 cm (8in)	0	15.7	22.4	30.2	39.2	49.1	59.8	71.2	83.1	95.4	107.8	120.4	132.9	145.2	157.2	168.7	179.5	189.6	198.7	206.8	213.6									
Rows	Drive Type 4										Seed Rate in Kilograms per Hectare										Based on 0.66 kg/Liter									
17.8 cm (6in)	0	29.3	41.7	56.3	73.0	91.5	111.5	132.7	154.8	177.7	200.9	224.4	247.7	270.6	292.9	314.3	334.5	353.2	370.3	385.3	398.1									
19.1 cm (7.5in)	0	27.3	38.9	52.6	68.2	85.4	104.0	123.8	144.5	165.8	187.5	209.4	231.2	252.6	273.4	293.3	312.2	329.7	345.6	359.6	371.5									
20.3 cm (8in)	0	25.6	36.5	49.3	63.9	80.1	97.5	116.1	135.5	155.5	175.8	196.3	216.7	236.8	256.3	275.0	292.7	309.1	324.0	337.1	348.3									

Bermuda Grass

Metric	Seed Rate Handle Setting Number																													
	0	5	10	15	20	25	30	35	40	45	50	55	60	65	70	75	80	85	90	95	100									
Rows	Drive Type 1										Seed Rate in Kilograms per Hectare										Based on 0.77 kg/Liter									
17.8 cm (6in)	0	2.3	4.6	7.0	9.4	11.9	14.5	17.1	19.7	22.3	24.9	27.6	30.2	32.8	35.4	38.0	40.5	42.9	45.3	47.6	49.9									
19.1 cm (7.5in)	0	2.2	4.3	6.5	8.8	11.1	13.5	15.9	18.4	20.8	23.3	25.7	28.2	30.6	33.1	35.4	37.8	40.1	42.3	44.5	46.6									
20.3 cm (8in)	0	2.0	4.0	6.1	8.2	10.4	12.7	14.9	17.2	19.5	21.8	24.1	26.4	28.7	31.0	33.2	35.4	37.6	39.7	41.7	43.6									
Rows	Drive Type 2										Seed Rate in Kilograms per Hectare										Based on 0.77 kg/Liter									
17.8 cm (6in)	0	4.7	9.5	14.4	19.4	24.5	29.7	35.1	40.4	45.8	51.3	56.7	62.1	67.5	72.8	78.1	83.2	88.3	93.2	97.9	102.5									
19.1 cm (7.5in)	0	4.4	8.8	13.4	18.1	22.9	27.8	32.7	37.7	42.8	47.8	52.9	58.0	63.0	68.0	72.9	77.7	82.4	87.0	91.4	95.7									
20.3 cm (8in)	0	4.1	8.3	12.6	16.9	21.4	26.0	30.7	35.4	40.1	44.9	49.6	54.4	59.1	63.7	68.3	72.8	77.2	81.5	85.7	89.7									
Rows	Drive Type 3										Seed Rate in Kilograms per Hectare										Based on 0.77 kg/Liter									
17.8 cm (6in)	0	7.5	14.5	21.8	29.3	36.9	44.6	52.4	60.3	68.1	76.0	83.8	91.6	99.2	106.7	114.0	121.0	127.9	134.4	140.7	146.6									
19.1 cm (7.5in)	0	7.0	13.6	20.4	27.3	34.4	41.6	48.9	56.2	63.6	70.9	78.2	85.5	92.6	99.5	106.4	113.0	119.4	125.5	131.3	136.8									
20.3 cm (8in)	0	6.5	12.7	19.1	25.6	32.3	39.0	45.8	52.7	59.6	66.5	73.3	80.1	86.8	93.3	99.7	105.9	111.9	117.6	123.1	128.3									
Rows	Drive Type 4										Seed Rate in Kilograms per Hectare										Based on 0.77 kg/Liter									
17.8 cm (6in)	0	12.2	23.7	35.6	47.7	60.1	72.7	85.4	98.2	111.1	123.9	136.7	149.3	161.7	173.9	185.8	197.4	208.5	219.2	229.4	239.0									
19.1 cm (7.5in)	0	11.4	22.1	33.2	44.5	56.1	67.9	79.7	91.7	103.7	115.7	127.6	139.3	150.9	162.3	173.4	184.2	194.6	204.6	214.1	223.1									
20.3 cm (8in)	0	10.7	20.7	31.1	41.7	52.6	63.6	74.8	86.0	97.2	108.4	119.6	130.6	141.5	152.2	162.6	172.7	182.4	191.8	200.7	209.1									

Metric Rate Charts, Main Seed Box and Dual Seed Box, continued...

Buckwheat-Common

Metric	Seed Rate Handle Setting Number																													
	0	5	10	15	20	25	30	35	40	45	50	55	60	65	70	75	80	85	90	95	100									
Rows	Drive Type 1										Seed Rate in Kilograms per Hectare										Based on 0.62 kg/Liter									
17.8 cm (6in)	0	5.1	7.5	10.4	13.8	17.5	21.6	26.0	30.5	35.1	39.8	44.5	49.1	53.5	57.7	61.6	65.1	68.2	70.8	72.8	74.2									
19.1 cm (7.5in)	0	4.8	7.0	9.7	12.9	16.4	20.2	24.2	28.5	32.8	37.2	41.5	45.8	49.9	53.8	57.5	60.8	63.7	66.1	68.0	69.3									
20.3 cm (8in)	0	4.5	6.6	9.1	12.1	15.3	18.9	22.7	26.7	30.7	34.8	38.9	42.9	46.8	50.5	53.9	57.0	59.7	62.0	63.7	64.9									
Rows	Drive Type 2										Seed Rate in Kilograms per Hectare										Based on 0.62 kg/Liter									
17.8 cm (6in)	0	10.5	15.4	21.4	28.3	36.1	44.4	53.4	62.7	72.2	81.8	91.4	100.9	109.9	118.6	126.6	133.8	140.2	145.5	149.7	152.5									
19.1 cm (7.5in)	0	9.8	14.4	20.0	26.4	33.6	41.5	49.8	58.5	67.4	76.4	85.3	94.1	102.6	110.7	118.1	124.9	130.9	135.8	139.7	142.4									
20.3 cm (8in)	0	9.2	13.5	18.7	24.8	31.5	38.9	46.7	54.8	63.2	71.6	80.0	88.2	96.2	103.7	110.8	117.1	122.7	127.3	131.0	133.5									
Rows	Drive Type 3										Seed Rate in Kilograms per Hectare										Based on 0.62 kg/Liter									
17.8 cm (6in)	0	19.6	24.0	31.0	40.3	51.7	64.7	79.2	94.7	111.1	128.0	145.0	162.0	178.6	194.5	209.3	222.9	234.9	245.0	252.8	258.2									
19.1 cm (7.5in)	0	18.3	22.4	29.0	37.7	48.2	60.4	73.9	88.4	103.7	119.4	135.4	151.2	166.7	181.5	195.4	208.1	219.2	228.6	236.0	241.0									
20.3 cm (8in)	0	17.2	21.0	27.1	35.3	45.2	56.6	69.3	82.9	97.2	112.0	126.9	141.8	156.3	170.2	183.2	195.1	205.5	214.3	221.5	225.9									
Rows	Drive Type 4										Seed Rate in Kilograms per Hectare										Based on 0.62 kg/Liter									
17.8 cm (6in)	0	32.0	39.1	50.6	65.8	84.3	105.5	129.1	154.5	181.1	208.6	236.5	264.2	291.2	317.1	341.3	363.4	383.0	399.4	412.2	420.9									
19.1 cm (7.5in)	0	29.8	36.5	47.2	61.4	78.6	98.5	120.5	144.2	169.1	194.7	220.7	246.5	271.8	295.9	318.6	339.2	357.4	372.8	384.7	392.9									
20.3 cm (8in)	0	28.0	34.3	44.3	57.6	73.7	92.3	113.0	135.1	158.5	182.6	206.9	231.1	254.8	277.4	298.7	318.0	335.1	349.5	360.7	368.3									

Buffalograss

Metric	Seed Rate Handle Setting Number																													
	0	5	10	15	20	25	30	35	40	45	50	55	60	65	70	75	80	85	90	95	100									
Rows	Drive Type 1										Seed Rate in Kilograms per Hectare										Based on 0.30 kg/Liter									
17.8 cm (6in)	0	1.1	2.3	3.4	4.5	6.8	7.9	10.1	11.3	13.5	14.6	16.9	18.0	20.3	21.4	22.5	23.7	23.7	24.8	24.8	24.8									
19.1 cm (7.5in)	0	1.1	2.3	3.4	4.5	5.6	7.9	9.0	11.3	12.4	14.6	15.8	16.9	19.2	20.3	21.4	22.5	22.5	22.5	22.5	22.5									
20.3 cm (8in)	0	1.1	2.3	3.4	4.5	5.6	6.8	9.0	10.1	11.3	13.5	14.6	15.8	18.0	19.2	20.3	20.3	21.4	21.4	21.4	21.4									
Rows	Drive Type 2										Seed Rate in Kilograms per Hectare										Based on 0.30 kg/Liter									
17.8 cm (6in)	0	3.4	4.5	7.9	10.1	13.5	16.9	20.3	23.7	27.0	31.6	34.9	38.3	41.7	43.9	46.2	48.5	49.6	50.7	50.7	49.6									
19.1 cm (7.5in)	0	2.3	4.5	6.8	9.0	12.4	15.8	19.2	22.5	25.9	29.3	32.7	36.1	38.3	40.6	42.8	45.1	46.2	47.3	47.3	46.2									
20.3 cm (8in)	0	2.3	4.5	6.8	9.0	11.3	14.6	18.0	21.4	23.7	27.0	30.4	33.8	36.1	38.3	40.6	42.8	43.9	43.9	43.9	43.9									
Rows	Drive Type 3										Seed Rate in Kilograms per Hectare										Based on 0.30 kg/Liter									
17.8 cm (6in)	0	5.6	7.9	11.3	14.6	19.2	23.7	29.3	34.9	40.6	46.2	51.8	56.3	62.0	66.5	69.9	73.2	75.5	77.7	77.7	77.7									
19.1 cm (7.5in)	0	5.6	7.9	10.1	13.5	18.0	22.5	27.0	32.7	38.3	42.8	48.5	53.0	57.5	62.0	65.4	68.7	71.0	72.1	73.2	72.1									
20.3 cm (8in)	0	4.5	6.8	10.1	13.5	16.9	21.4	25.9	30.4	34.9	40.6	45.1	49.6	54.1	57.5	60.8	64.2	66.5	67.6	68.7	67.6									
Rows	Drive Type 4										Seed Rate in Kilograms per Hectare										Based on 0.30 kg/Liter									
17.8 cm (6in)	0	9.0	12.4	18.0	24.8	31.6	40.6	48.5	56.3	66.5	75.5	84.5	92.4	100.0	108.2	113.8	119.4	123.9	126.2	127.3	126.2									
19.1 cm (7.5in)	0	7.9	12.4	16.9	22.5	29.3	37.2	45.1	53.0	62.0	69.9	78.9	86.8	93.5	101.4	107.0	111.6	114.9	117.2	118.3	117.2									
20.3 cm (8in)	0	7.9	11.3	15.8	21.4	27.0	34.9	41.7	49.6	57.5	65.4	73.2	81.1	87.9	94.7	100.3	104.8	108.2	110.4	111.6	110.4									

Metric Rate Charts, Main Seed Box and Dual Seed Box, continued...

K-31 Fescue

Metric	Seed Rate Handle Setting Number																													
	0	5	10	15	20	25	30	35	40	45	50	55	60	65	70	75	80	85	90	95	100									
Rows	Drive Type 1										Seed Rate in Kilograms per Hectare										Based on 0.27 kg/Liter									
17.8 cm (6in)	0	2.5	3.8	5.2	6.8	8.4	10.1	11.8	13.5	15.3	17.0	18.7	20.4	22.0	23.5	24.9	26.1	27.3	28.2	29.0	29.6									
19.1 cm (7.5in)	0	2.3	3.5	4.9	6.3	7.8	9.4	11.0	12.6	14.3	15.9	17.5	19.0	20.5	21.9	23.2	24.4	25.4	26.3	27.1	27.6									
20.3 cm (8in)	0	2.2	3.3	4.6	5.9	7.3	8.8	10.3	11.9	13.4	14.9	16.4	17.8	19.2	20.5	21.8	22.9	23.9	24.7	25.4	25.9									
Rows	Drive Type 2										Seed Rate in Kilograms per Hectare										Based on 0.27 kg/Liter									
17.8 cm (6in)	0	5.1	7.8	10.8	13.9	17.3	20.7	24.2	27.8	31.4	35.0	38.5	41.9	45.2	48.3	51.1	53.7	56.0	58.0	59.6	60.8									
19.1 cm (7.5in)	0	4.7	7.3	10.0	13.0	16.1	19.3	22.6	26.0	29.3	32.7	36.0	39.1	42.2	45.1	47.7	50.2	52.3	54.2	55.6	56.8									
20.3 cm (8in)	0	4.4	6.8	9.4	12.2	15.1	18.1	21.2	24.4	27.5	30.6	33.7	36.7	39.5	42.2	44.7	47.0	49.0	50.8	52.2	53.2									
Rows	Drive Type 3										Seed Rate in Kilograms per Hectare										Based on 0.27 kg/Liter									
17.8 cm (6in)	0	8.7	12.2	16.2	20.5	25.2	30.2	35.3	40.6	46.0	51.4	56.8	62.0	67.1	72.0	76.5	80.7	84.5	87.7	90.5	92.6									
19.1 cm (7.5in)	0	8.1	11.4	15.1	19.1	23.5	28.1	33.0	37.9	42.9	48.0	53.0	57.9	62.6	67.2	71.4	75.3	78.8	81.9	84.4	86.4									
20.3 cm (8in)	0	7.6	10.7	14.1	18.0	22.1	26.4	30.9	35.5	40.3	45.0	49.7	54.3	58.7	63.0	67.0	70.6	73.9	76.8	79.1	81.0									
Rows	Drive Type 4										Seed Rate in Kilograms per Hectare										Based on 0.27 kg/Liter									
17.8 cm (6in)	0	14.2	19.9	26.4	33.5	41.1	49.2	57.6	66.2	75.0	83.8	92.6	101.2	109.4	117.3	124.8	131.6	137.7	143.0	147.5	150.9									
19.1 cm (7.5in)	0	13.3	18.6	24.6	31.2	38.3	45.9	53.7	61.8	70.0	78.3	86.4	94.4	102.1	109.5	116.4	122.8	128.5	133.5	137.6	140.8									
20.3 cm (8in)	0	12.5	17.4	23.1	29.3	36.0	43.0	50.4	58.0	65.7	73.4	81.0	88.5	95.8	102.7	109.2	115.1	120.5	125.2	129.0	132.0									

Flax or Sudan

Metric	Seed Rate Handle Setting Number																													
	0	5	10	15	20	25	30	35	40	45	50	55	60	65	70	75	80	85	90	95	100									
Rows	Drive Type 1										Seed Rate in Kilograms per Hectare										Based on 0.71 kg/Liter									
17.8 cm (6in)	0	6.0	8.9	12.3	16.0	20.0	24.3	28.8	33.6	38.4	43.4	48.4	53.4	58.4	63.3	68.1	72.7	77.1	81.3	85.1	88.6									
19.1 cm (7.5in)	0	5.6	8.3	11.5	14.9	18.7	22.7	26.9	31.3	35.9	40.5	45.2	49.9	54.5	59.1	63.6	67.9	72.0	75.8	79.4	82.7									
20.3 cm (8in)	0	5.2	7.8	10.7	14.0	17.5	21.3	25.2	29.4	33.6	38.0	42.3	46.7	51.1	55.4	59.6	63.6	67.5	71.1	74.5	77.5									
Rows	Drive Type 2										Seed Rate in Kilograms per Hectare										Based on 0.71 kg/Liter									
17.8 cm (6in)	0	12.3	18.4	25.2	32.9	41.1	50.0	59.3	69.0	79.0	89.2	99.5	109.8	120.0	130.1	140.0	149.4	158.5	167.0	174.9	182.1									
19.1 cm (7.5in)	0	11.5	17.1	23.6	30.7	38.4	46.7	55.3	64.4	73.7	83.2	92.8	102.5	112.0	121.5	130.6	139.5	142.9	155.9	163.3	170.0									
20.3 cm (8in)	0	10.8	16.1	22.1	28.8	36.0	43.7	51.9	60.4	69.1	78.0	87.0	96.1	105.0	113.9	122.5	130.8	138.7	146.1	153.1	159.3									
Rows	Drive Type 3										Seed Rate in Kilograms per Hectare										Based on 0.71 kg/Liter									
17.8 cm (6in)	0	18.8	27.9	38.0	49.0	60.7	73.1	86.1	99.5	113.2	127.2	141.3	155.4	169.5	183.3	196.8	209.9	222.5	234.4	245.7	256.0									
19.1 cm (7.5in)	0	17.6	26.1	35.5	45.7	56.7	68.3	80.4	92.9	105.7	118.7	131.9	145.1	158.2	171.1	183.7	195.9	207.4	218.8	229.3	239.0									
20.3 cm (8in)	0	16.5	24.4	33.3	42.9	53.1	64.0	75.3	87.1	99.1	111.3	123.7	136.0	148.3	160.4	172.2	183.7	194.7	205.1	214.9	224.0									
Rows	Drive Type 4										Seed Rate in Kilograms per Hectare										Based on 0.71 kg/Liter									
17.8 cm (6in)	0	30.7	45.5	62.0	79.9	99.0	119.2	140.4	162.2	184.6	207.4	230.4	253.4	276.3	298.8	320.9	342.2	362.8	382.2	400.5	417.4									
19.1 cm (7.5in)	0	28.6	42.5	57.9	74.5	92.4	111.3	131.0	151.4	172.3	193.6	215.0	236.5	257.9	278.9	299.5	319.4	338.6	356.8	373.8	389.6									
20.3 cm (8in)	0	26.8	39.8	54.2	69.9	86.6	104.3	122.8	141.9	161.6	181.5	201.6	221.7	241.8	261.5	280.8	299.5	317.4	334.5	350.5	365.2									

Metric Rate Charts, Main Seed Box and Dual Seed Box, continued...

Eastern Gamma Grass-Pete

Note: Seed cup door should be set on the second notch

Metric	Seed Rate Handle Setting Number																													
	0	5	10	15	20	25	30	35	40	45	50	55	60	65	70	75	80	85	90	95	100									
Rows	Drive Type 1										Seed Rate in Kilograms per Hectare										Based on ___ kg/Liter									
17.8 cm (6in)	0	5.0	6.9	9.2	11.8	14.7	17.8	21.0	24.4	27.9	31.3	34.8	38.1	41.4	44.4	47.2	49.7	51.9	53.7	55.1	56.0									
19.1 cm (7.5in)	0	4.7	6.5	8.6	11.0	13.7	16.6	19.6	22.8	26.0	29.3	32.5	35.6	38.6	41.4	44.1	46.4	48.5	50.2	51.5	52.3									
20.3 cm (8in)	0	4.4	6.1	8.1	10.3	12.9	15.6	18.4	21.4	24.4	27.4	30.4	33.4	36.2	38.9	41.3	43.5	45.4	47.0	48.2	49.0									
Rows	Drive Type 2										Seed Rate in Kilograms per Hectare										Based on ___ kg/Liter									
17.8 cm (6in)	0	10.3	14.3	19.0	24.3	30.2	36.6	43.3	50.2	57.3	64.4	71.5	78.4	85.0	91.3	97.1	102.2	106.8	110.5	113.3	115.2									
19.1 cm (7.5in)	0	9.6	13.3	17.7	22.7	28.2	34.1	40.4	46.9	53.5	60.1	66.7	73.2	79.4	85.2	90.6	95.4	99.6	103.1	105.8	107.5									
20.3 cm (8in)	0	9.0	12.5	16.6	21.3	26.4	32.0	37.9	43.9	50.1	56.4	62.6	68.6	74.4	79.9	84.9	89.5	93.4	96.7	99.2	100.8									
Rows	Drive Type 3										Seed Rate in Kilograms per Hectare										Based on ___ kg/Liter									
17.8 cm (6in)	0	14.4	20.8	28.2	36.3	45.1	54.4	64.0	73.9	84.0	94.1	104.0	113.8	123.1	132.0	140.3	147.8	154.5	160.2	164.7	168.1									
19.1 cm (7.5in)	0	13.4	19.5	26.3	33.9	42.1	50.7	59.7	69.0	78.4	87.8	97.1	106.2	114.9	123.2	130.9	138.0	144.2	149.5	153.8	156.9									
20.3 cm (8in)	0	12.6	18.2	24.7	31.8	39.4	47.6	56.0	64.7	73.5	82.3	91.0	99.5	107.7	115.5	122.8	129.3	135.2	140.2	144.2	147.1									
Rows	Drive Type 4										Seed Rate in Kilograms per Hectare										Based on ___ kg/Liter									
17.8 cm (6in)	0	23.4	34.0	46.0	59.2	73.5	88.6	104.4	120.5	137.0	153.4	169.6	185.5	200.8	215.2	228.7	241.0	251.9	261.2	268.6	274.0									
19.1 cm (7.5in)	0	21.9	31.7	42.9	55.3	68.6	82.7	97.4	112.5	127.8	143.2	158.3	173.1	187.4	200.9	213.5	224.9	235.1	243.7	250.7	255.8									
20.3 cm (8in)	0	20.5	29.7	40.2	51.8	64.3	77.5	91.3	105.5	119.8	134.2	148.4	162.3	175.7	188.3	200.1	210.9	220.4	228.5	235.0	239.8									

Kentucky Blue Grass

Metric	Seed Rate Handle Setting Number																													
	0	5	10	15	20	25	30	35	40	45	50	55	60	65	70	75	80	85	90	95	100									
Rows	Drive Type 1										Seed Rate in Kilograms per Hectare										Based on 0.30 kg/Liter									
17.8 cm (6in)	0	1.9	2.8	3.8	4.9	6.1	7.4	8.8	10.2	11.6	13.0	14.5	15.9	17.2	18.5	19.7	20.8	21.8	22.6	23.3	23.9									
19.1 cm (7.5in)	0	1.8	2.6	3.5	4.6	5.7	6.9	8.2	9.5	10.8	12.2	13.5	14.8	16.1	17.3	18.4	19.4	20.3	21.1	21.8	22.3									
20.3 cm (8in)	0	1.7	2.4	3.3	4.3	5.3	6.5	7.7	8.9	10.1	11.4	12.6	13.9	15.1	16.2	17.2	18.2	19.1	19.8	20.4	20.9									
Rows	Drive Type 2										Seed Rate in Kilograms per Hectare										Based on 0.30 kg/Liter									
17.8 cm (6in)	0	3.9	5.7	7.8	10.1	12.6	15.2	18.0	20.9	23.8	26.8	29.7	32.6	35.4	38.0	40.5	42.8	44.8	46.6	48.0	49.1									
19.1 cm (7.5in)	0	3.7	5.3	7.2	9.4	11.7	14.2	16.8	19.5	22.2	25.0	27.7	30.4	33.0	35.5	37.8	39.9	41.8	43.4	44.8	45.8									
20.3 cm (8in)	0	3.5	5.0	6.8	8.8	11.0	13.3	15.8	18.3	20.8	23.4	26.0	28.5	30.9	33.3	35.4	37.4	39.2	40.7	42.0	42.9									
Rows	Drive Type 3										Seed Rate in Kilograms per Hectare										Based on 0.30 kg/Liter									
17.8 cm (6in)	0	6.4	9.4	12.7	16.2	19.9	23.7	27.6	31.5	35.5	39.5	43.5	47.3	51.1	54.8	58.2	61.5	64.5	67.3	69.7	71.8									
19.1 cm (7.5in)	0	5.9	8.8	11.9	15.1	18.6	22.1	25.7	29.4	33.2	36.9	40.6	44.2	47.7	51.1	54.3	57.4	60.2	62.8	65.0	67.0									
20.3 cm (8in)	0	5.6	8.2	11.1	14.2	17.4	20.7	24.1	27.6	31.1	34.6	38.0	41.4	44.7	47.9	50.9	53.8	56.4	58.8	61.0	62.8									
Rows	Drive Type 4										Seed Rate in Kilograms per Hectare										Based on 0.30 kg/Liter									
17.8 cm (6in)	0	10.4	15.4	20.7	26.4	32.4	38.6	45.0	51.4	57.9	64.4	70.9	77.2	83.3	89.3	94.9	100.3	105.2	109.7	113.6	117.1									
19.1 cm (7.5in)	0	9.7	14.3	19.4	24.7	30.3	36.0	42.0	48.0	54.1	60.1	66.1	72.0	77.8	83.3	88.6	93.6	98.2	102.3	106.1	109.3									
20.3 cm (8in)	0	9.1	13.4	18.1	23.1	28.4	33.8	39.3	45.0	50.7	56.4	62.0	67.5	72.9	78.1	83.1	87.7	92.0	95.9	99.4	102.4									

Metric Rate Charts, Main Seed Box and Dual Seed Box, continued...

Millet

Metric	Seed Rate Handle Setting Number																													
	0	5	10	15	20	25	30	35	40	45	50	55	60	65	70	75	80	85	90	95	100									
Rows	Drive Type 1										Seed Rate in Kilograms per Hectare										Based on 0.77 kg/Liter									
17.8 cm (6in)	0	6.3	8.9	12.0	15.5	19.4	23.5	27.8	32.3	36.9	41.6	46.3	51.0	55.6	60.1	64.4	68.5	72.3	75.7	78.8	81.4									
19.1 cm (7.5in)	0	5.9	8.3	11.2	14.5	18.1	21.9	25.9	30.1	34.4	38.8	43.2	47.6	51.9	56.1	60.1	63.9	67.4	70.7	73.5	75.9									
20.3 cm (8in)	0	5.5	7.8	10.5	13.6	16.9	20.5	24.3	28.2	32.3	36.4	40.5	44.6	48.7	52.6	56.4	59.9	63.2	66.2	68.9	71.2									
Rows	Drive Type 2										Seed Rate in Kilograms per Hectare										Based on 0.77 kg/Liter									
17.8 cm (6in)	0	12.9	18.4	24.8	31.9	39.8	48.2	57.1	66.3	75.9	85.5	95.2	104.9	114.3	123.6	132.4	140.8	148.5	155.6	161.9	167.3									
19.1 cm (7.5in)	0	12.0	17.2	23.1	29.8	37.1	45.0	53.3	61.9	70.8	79.8	88.9	97.9	106.7	115.3	123.6	131.4	138.6	145.2	151.1	156.1									
20.3 cm (8in)	0	11.3	16.1	21.7	27.9	34.8	42.2	50.0	58.1	66.4	74.8	83.3	91.8	100.1	108.1	115.8	123.2	130.0	136.2	141.6	146.4									
Rows	Drive Type 3										Seed Rate in Kilograms per Hectare										Based on 0.77 kg/Liter									
17.8 cm (6in)	0	17.8	26.6	36.6	47.6	59.7	72.5	86.0	100.0	114.3	128.8	143.3	157.7	171.9	185.6	198.8	211.2	222.8	233.4	242.8	250.9									
19.1 cm (7.5in)	0	16.6	24.8	34.1	44.5	55.7	67.7	80.3	93.3	106.6	120.2	133.7	147.2	160.4	173.2	185.5	197.2	208.0	217.8	226.6	234.1									
20.3 cm (8in)	0	15.6	23.2	32.0	41.7	52.2	63.4	75.2	87.5	100.0	112.7	125.4	138.0	150.4	162.4	173.9	184.8	195.0	204.2	212.4	219.5									
Rows	Drive Type 4										Seed Rate in Kilograms per Hectare										Based on 0.77 kg/Liter									
17.8 cm (6in)	0	29.1	43.3	59.6	77.7	97.3	118.2	140.2	163.0	186.3	209.9	233.6	257.1	280.2	302.6	324.1	344.4	363.3	380.5	395.8	409.0									
19.1 cm (7.5in)	0	27.1	40.4	55.6	72.5	90.8	110.3	130.8	152.1	173.9	195.9	218.0	240.0	261.5	282.4	302.5	321.4	339.1	355.2	369.5	381.7									
20.3 cm (8in)	0	25.4	37.9	52.2	68.0	85.1	103.4	122.7	142.6	163.0	183.7	204.4	225.0	245.2	264.8	283.6	301.4	317.9	333.0	346.4	357.9									

Milo

Metric	Seed Rate Handle Setting Number																													
	0	5	10	15	20	25	30	35	40	45	50	55	60	65	70	75	80	85	90	95	100									
Rows	Drive Type 1										Seed Rate in Kilograms per Hectare										Based on 0.77 kg/Liter									
17.8 cm (6in)	0	6.0	9.3	13.3	17.8	22.9	28.4	34.2	40.3	46.6	53.0	59.5	65.9	72.1	78.2	83.9	89.3	94.3	98.7	102.5	105.6									
19.1 cm (7.5in)	0	5.6	8.7	12.4	16.6	21.4	26.5	31.9	37.7	43.5	49.5	55.5	61.5	67.3	73.0	78.3	83.4	88.0	92.1	95.7	98.6									
20.3 cm (8in)	0	5.3	8.1	11.6	15.6	20.0	24.8	30.0	35.3	40.8	46.4	52.0	57.6	63.1	68.4	73.5	78.2	82.5	86.4	89.7	92.4									
Rows	Drive Type 2										Seed Rate in Kilograms per Hectare										Based on 0.77 kg/Liter									
17.8 cm (6in)	0	12.3	19.1	27.3	36.7	47.1	58.4	70.4	82.9	95.9	109.0	122.3	135.4	148.3	160.7	172.5	183.6	193.8	202.9	210.7	217.1									
19.1 cm (7.5in)	0	11.5	17.9	25.5	34.2	43.9	54.5	65.7	77.4	89.5	101.8	114.1	126.4	138.4	150.0	161.0	171.4	180.9	189.4	196.7	202.7									
20.3 cm (8in)	0	10.8	16.7	23.9	32.1	41.2	51.1	61.6	72.6	83.9	95.4	107.0	118.5	129.7	140.6	151.0	160.7	169.6	177.5	184.4	190.0									

Metric Rate Charts, Main Seed Box and Dual Seed Box, continued...

Oats

Metric	Seed Rate Handle Setting Number																													
	0	5	10	15	20	25	30	35	40	45	50	55	60	65	70	75	80	85	90	95	100									
Rows	Drive Type 1										Seed Rate in Kilograms per Hectare										Based on 0.48 kg/Liter									
17.8 cm (6in)	0	2.4	4.0	5.9	8.0	10.3	12.7	15.3	18.0	20.7	23.5	26.3	29.1	31.9	34.5	37.1	39.5	41.8	43.8	45.7	47.3									
19.1 cm (7.5in)	0	2.2	3.7	5.5	7.5	9.6	11.9	14.3	16.8	19.4	22.0	24.6	27.2	29.7	32.2	34.6	36.9	39.0	40.9	42.6	44.1									
20.3 cm (8in)	0	2.1	3.5	5.2	7.0	9.0	11.1	13.4	15.7	18.2	20.6	23.0	25.5	27.9	30.2	32.4	34.6	36.5	38.4	40.0	41.4									
Rows	Drive Type 2										Seed Rate in Kilograms per Hectare										Based on 0.48 kg/Liter									
17.8 cm (6in)	0	4.9	8.2	12.1	16.4	21.1	26.2	31.5	37.0	42.6	48.4	54.1	59.9	65.5	71.0	76.2	81.2	85.9	90.1	93.9	97.2									
19.1 cm (7.5in)	0	4.5	7.7	11.3	15.3	19.7	24.4	29.4	34.5	39.8	45.2	50.5	55.9	61.1	66.2	71.1	75.8	80.1	84.1	87.6	90.7									
20.3 cm (8in)	0	4.3	7.2	10.6	14.4	18.5	22.9	27.5	32.4	37.3	42.3	47.4	52.4	57.3	62.1	66.7	71.1	75.1	78.8	82.2	85.0									
Rows	Drive Type 3										Seed Rate in Kilograms per Hectare										Based on 0.48 kg/Liter									
17.8 cm (6in)	0	9.0	12.9	18.1	24.2	31.2	39.0	47.3	56.1	65.2	74.5	83.8	93.0	102.0	110.5	118.6	125.9	132.5	138.1	142.5	145.8									
19.1 cm (7.5in)	0	8.4	12.1	16.9	22.6	29.1	36.4	44.2	52.4	60.9	69.5	78.2	86.8	95.2	103.2	110.7	117.5	123.6	128.8	133.0	136.1									
20.3 cm (8in)	0	7.9	11.3	15.8	21.2	27.3	34.1	41.4	49.1	57.1	65.2	73.4	81.4	89.2	96.7	103.8	110.2	115.9	120.8	124.7	127.6									
Rows	Drive Type 4										Seed Rate in Kilograms per Hectare										Based on 0.48 kg/Liter									
17.8 cm (6in)	0	14.6	21.1	29.5	39.5	50.9	63.5	77.2	91.5	106.4	121.5	136.7	151.7	166.3	180.2	193.3	205.3	216.0	225.1	232.4	237.7									
19.1 cm (7.5in)	0	13.7	19.7	27.5	36.8	47.5	59.3	72.0	85.4	99.3	113.4	127.6	141.6	155.2	168.2	180.4	191.6	201.6	210.1	216.9	221.8									
20.3 cm (8in)	0	12.8	18.5	25.8	34.5	44.5	55.6	67.5	80.1	93.1	106.3	119.6	132.7	145.5	157.7	169.2	179.7	189.0	196.9	203.3	208.0									

Orchard Grass-Potomac

Metric	Seed Rate Handle Setting Number																													
	0	5	10	15	20	25	30	35	40	45	50	55	60	65	70	75	80	85	90	95	100									
Rows	Drive Type 1										Seed Rate in Kilograms per Hectare										Based on 0.23 kg/Liter									
17.8 cm (6in)	0	1.5	2.0	2.7	3.5	4.4	5.4	6.5	7.6	8.8	10.0	11.2	12.4	13.5	14.6	15.7	16.6	17.4	18.2	18.8	19.2									
19.1 cm (7.5in)	0	1.4	1.9	2.5	3.3	4.1	5.0	6.1	7.1	8.2	9.3	10.4	11.5	12.6	13.6	14.6	15.5	16.3	17.0	17.5	17.9									
20.3 cm (8in)	0	1.3	1.8	2.3	3.0	3.8	4.7	5.7	6.7	7.7	8.7	9.8	10.8	11.8	12.8	13.7	14.5	15.3	15.9	16.4	16.8									
Rows	Drive Type 2										Seed Rate in Kilograms per Hectare										Based on 0.23 kg/Liter									
17.8 cm (6in)	0	3.0	4.1	5.5	7.2	9.0	11.1	13.3	15.7	18.1	20.5	23.0	25.4	27.8	30.1	32.2	34.1	35.9	37.3	38.5	39.4									
19.1 cm (7.5in)	0	2.8	3.8	5.1	6.7	8.4	10.4	12.4	14.6	16.9	19.2	21.5	23.7	25.9	28.1	30.0	31.8	33.5	34.9	36.0	36.8									
20.3 cm (8in)	0	2.6	3.6	4.8	6.3	7.9	9.7	11.7	13.7	15.8	18.0	20.1	22.2	24.3	26.3	28.2	29.9	31.4	32.7	33.7	34.5									
Rows	Drive Type 3										Seed Rate in Kilograms per Hectare										Based on 0.23 kg/Liter									
17.8 cm (6in)	0	4.4	6.0	8.0	10.4	13.0	15.9	19.0	22.3	25.6	29.1	32.6	36.0	39.4	42.7	45.8	48.8	51.5	53.9	56.0	57.7									
19.1 cm (7.5in)	0	4.1	5.6	7.5	9.7	12.2	14.9	17.8	20.8	23.9	27.1	30.4	33.6	36.8	39.8	42.8	45.5	48.0	50.3	52.3	53.9									
20.3 cm (8in)	0	3.8	5.3	7.0	9.1	11.4	13.9	16.6	19.5	22.4	25.5	28.5	31.5	34.5	37.3	40.1	42.7	45.0	47.2	49.0	50.5									
Rows	Drive Type 4										Seed Rate in Kilograms per Hectare										Based on 0.23 kg/Liter									
17.8 cm (6in)	0	7.1	9.8	13.1	16.9	21.2	26.0	31.0	36.3	41.8	47.4	53.1	58.7	64.2	69.6	74.7	79.5	83.9	87.9	91.3	94.1									
19.1 cm (7.5in)	0	6.6	9.1	12.2	15.8	19.8	24.2	28.9	33.9	39.0	44.3	49.5	54.8	60.0	65.0	69.7	74.2	78.3	82.0	85.2	87.9									
20.3 cm (8in)	0	6.2	8.6	11.4	14.8	18.6	22.7	27.1	31.8	36.6	41.5	46.4	51.4	56.2	60.9	65.4	69.6	73.4	76.9	79.9	82.4									

Metric Rate Charts, Main Seed Box and Dual Seed Box, continued...

Peas

Metric	Seed Rate Handle Setting Number																													
	0	5	10	15	20	25	30	35	40	45	50	55	60	65	70	75	80	85	90	95	100									
Rows	Drive Type 1										Seed Rate in Kilograms per Hectare										Based on 0.79 kg/Liter									
17.8 cm (6in)	0	2.8	6.9	11.5	16.5	21.9	27.7	33.6	39.6	45.8	51.9	57.9	63.8	69.4	74.8	79.7	84.2	88.1	91.4	94.0	95.9									
19.1 cm (7.5in)	0	2.6	6.4	10.7	15.4	20.5	25.8	31.3	37.0	42.7	48.4	54.1	59.5	64.8	69.8	74.4	78.6	82.2	85.3	87.8	89.5									
20.3 cm (8in)	0	2.5	6.0	10.0	14.5	19.2	24.2	29.4	34.7	40.0	45.4	50.7	55.8	60.8	65.4	69.7	73.6	77.1	80.0	82.3	83.9									
Rows	Drive Type 2										Seed Rate in Kilograms per Hectare										Based on 0.79 kg/Liter									
17.8 cm (6in)	0	5.8	14.2	23.6	34.0	45.1	56.8	69.0	81.5	94.1	106.7	119.1	131.1	142.7	153.7	163.8	173.0	181.1	187.9	193.3	197.1									
19.1 cm (7.5in)	0	5.4	13.2	22.0	31.7	42.1	53.0	64.4	76.0	87.8	99.6	111.1	122.4	133.2	143.4	152.9	161.5	169.0	175.4	180.4	184.0									
20.3 cm (8in)	0	5.0	12.4	20.7	29.7	39.5	49.7	60.4	71.3	82.3	93.3	104.2	114.7	124.9	134.5	143.3	151.4	158.4	164.4	169.1	172.5									
Rows	Drive Type 3										Seed Rate in Kilograms per Hectare										Based on 0.79 kg/Liter									
17.8 cm (6in)	0	4.2	15.8	29.0	43.6	59.3	75.9	93.1	110.9	128.8	146.7	164.4	181.6	198.1	213.6	228.0	241.0	252.4	262.0	269.4	274.6									
19.1 cm (7.5in)	0	3.9	14.8	27.1	40.7	55.3	70.8	86.9	103.5	120.2	136.9	153.4	169.5	184.9	199.4	212.8	225.0	235.6	244.5	251.5	256.3									
20.3 cm (8in)	0	3.7	13.8	25.4	38.1	51.9	66.4	81.5	97.0	112.7	128.4	143.8	158.9	173.3	186.9	199.5	210.9	220.9	229.2	235.8	240.3									
Rows	Drive Type 4										Seed Rate in Kilograms per Hectare										Based on 0.79 kg/Liter									
17.8 cm (6in)	0	6.9	25.8	47.3	71.1	96.6	123.7	151.9	180.7	210.0	239.2	268.0	296.0	322.9	348.3	371.8	393.0	411.6	427.1	439.3	447.7									
19.1 cm (7.5in)	0	6.4	24.1	44.2	66.3	90.2	115.5	141.7	168.7	196.0	223.2	250.1	276.3	301.4	325.1	347.0	366.8	384.1	398.7	410.0	417.8									
20.3 cm (8in)	0	6.0	22.6	41.4	62.2	84.6	108.2	132.9	158.2	183.7	209.3	234.5	259.0	282.6	304.8	325.3	343.9	360.1	373.7	384.4	391.7									

Pinto Beans

Metric	Seed Rate Handle Setting Number																													
	0	5	10	15	20	25	30	35	40	45	50	55	60	65	70	75	80	85	90	95	100									
Rows	Drive Type 1										Seed Rate in Kilograms per Hectare										Based on 0.79 kg/Liter									
17.8 cm (6in)	0	5.4	9.0	13.2	18.1	23.5	29.3	35.5	41.8	48.4	54.9	61.4	67.7	73.7	79.4	84.6	89.2	93.2	96.4	98.8	100.2									
19.1 cm (7.5in)	0	5.1	8.4	12.3	16.9	21.9	27.4	33.1	39.1	45.1	51.2	57.3	63.1	68.8	74.1	78.9	83.3	87.0	90.0	92.2	93.6									
20.3 cm (8in)	0	4.7	7.8	11.6	15.8	20.6	25.7	31.0	36.6	42.3	48.0	53.7	59.2	64.5	69.4	74.0	78.1	81.6	84.4	86.5	87.7									
Rows	Drive Type 2										Seed Rate in Kilograms per Hectare										Based on 0.79 kg/Liter									
17.8 cm (6in)	0	11.1	18.4	27.2	37.2	48.3	60.3	72.9	86.0	99.4	112.8	126.1	139.1	151.5	163.1	173.8	183.4	191.6	198.2	203.1	206.0									
19.1 cm (7.5in)	0	10.4	17.2	25.4	34.7	45.1	56.3	68.0	80.3	92.8	105.3	117.7	129.8	141.4	152.2	162.2	171.2	178.8	185.0	189.6	192.3									
20.3 cm (8in)	0	9.7	16.1	23.8	32.5	42.3	52.7	63.8	75.3	87.0	98.7	110.3	121.7	132.5	142.7	152.1	160.5	167.6	173.4	177.7	180.3									
Rows	Drive Type 3										Seed Rate in Kilograms per Hectare										Based on 0.79 kg/Liter									
17.8 cm (6in)	0	18.5	28.5	40.8	54.9	70.6	87.7	105.7	124.5	143.8	163.1	182.4	201.3	219.4	236.6	252.5	266.8	279.3	289.6	297.5	302.7									
19.1 cm (7.5in)	0	17.2	26.6	38.1	51.3	65.9	81.8	98.7	116.2	134.2	152.3	170.3	187.9	204.8	220.8	235.6	249.0	260.7	270.3	277.7	282.6									
20.3 cm (8in)	0	16.2	25.0	35.7	48.1	61.8	76.7	92.5	109.0	125.8	142.8	159.6	176.1	192.0	207.0	220.9	233.5	244.4	253.4	260.3	264.9									
Rows	Drive Type 4										Seed Rate in Kilograms per Hectare										Based on 0.79 kg/Liter									
17.8 cm (6in)	0	30.1	46.5	66.5	89.5	115.2	143.0	172.0	203.0	234.4	266.0	297.4	328.2	357.8	385.7	411.6	435.0	455.3	472.2	485.1	493.6									
19.1 cm (7.5in)	0	28.1	43.4	62.1	83.6	107.5	133.4	160.9	189.5	218.8	248.3	277.6	306.3	333.9	360.0	384.2	406.0	425.0	440.7	452.8	460.7									
20.3 cm (8in)	0	26.3	40.7	58.2	78.3	100.8	125.1	150.8	177.6	205.1	232.8	260.2	287.1	313.0	337.5	360.2	380.6	398.4	413.2	424.5	431.9									

Metric Rate Charts, Main Seed Box and Dual Seed Box, continued...

Rape

Metric	Seed Rate Handle Setting Number																													
	0	5	10	15	20	25	30	35	40	45	50	55	60	65	70	75	80	85	90	95	100									
Rows	Drive Type 1										Seed Rate in Kilograms per Hectare										Based on 0.66 kg/Liter									
17.8 cm (6in)	0	5.5	8.2	11.2	14.4	17.8	21.4	25.2	29.0	33.0	37.0	41.0	45.0	49.0	53.0	56.9	60.6	64.2	67.7	71.0	74.0									
19.1 cm (7.5in)	0	5.1	7.7	10.4	13.5	16.6	20.0	23.5	27.1	30.8	34.5	38.3	42.0	45.8	49.5	53.1	56.6	60.0	63.2	66.2	69.1									
20.3 cm (8in)	0	4.8	7.2	9.8	12.6	15.6	18.7	22.0	25.4	28.8	32.3	35.9	39.4	42.9	46.4	49.8	53.0	56.2	59.2	62.1	64.7									
Rows	Drive Type 2										Seed Rate in Kilograms per Hectare										Based on 0.66 kg/Liter									
17.8 cm (6in)	0	11.3	16.9	23.0	29.6	36.7	44.0	51.7	59.6	67.7	76.0	84.3	92.6	100.8	108.9	116.9	124.6	132.1	139.2	145.8	152.1									
19.1 cm (7.5in)	0	10.5	15.7	21.5	27.7	34.2	41.1	48.3	55.7	63.2	70.9	78.6	86.4	94.1	101.7	109.1	116.3	123.2	129.9	136.1	141.9									
20.3 cm (8in)	0	9.8	14.8	20.1	25.9	32.1	38.5	45.3	52.2	59.3	66.5	73.7	81.0	88.2	95.3	102.3	109.0	115.5	121.8	127.6	133.1									
Rows	Drive Type 3										Seed Rate in Kilograms per Hectare										Based on 0.66 kg/Liter									
17.8 cm (6in)	0	17.4	24.2	32.2	41.3	51.3	62.2	73.7	85.7	98.0	110.6	123.3	135.9	148.4	160.5	172.1	183.1	193.3	202.6	210.9	218.0									
19.1 cm (7.5in)	0	16.3	22.6	30.1	38.6	47.9	58.0	68.8	79.9	91.5	103.3	115.1	126.9	138.5	149.8	160.6	170.9	180.4	189.1	196.9	203.5									
20.3 cm (8in)	0	15.2	21.2	28.2	36.2	44.9	54.4	64.5	75.0	85.8	96.8	107.9	119.0	129.8	140.4	150.6	160.2	169.2	177.3	184.6	190.8									
Rows	Drive Type 4										Seed Rate in Kilograms per Hectare										Based on 0.66 kg/Liter									
17.8 cm (6in)	0	28.4	39.5	52.5	67.4	83.7	101.4	120.1	139.7	159.8	180.4	201.1	221.6	241.9	261.6	280.6	298.5	315.2	330.4	343.9	355.4									
19.1 cm (7.5in)	0	26.5	36.8	49.0	62.9	78.1	94.6	112.1	130.4	149.2	168.3	187.7	206.9	225.8	244.2	261.9	278.6	294.2	308.4	321.0	331.7									
20.3 cm (8in)	0	24.9	34.5	46.0	58.9	73.3	88.7	105.1	122.2	139.9	157.8	175.9	193.9	211.7	228.9	245.5	261.2	275.8	289.1	300.9	311.0									

Rice-Short Grain

Metric	Seed Rate Handle Setting Number																													
	0	5	10	15	20	25	30	35	40	45	50	55	60	65	70	75	80	85	90	95	100									
Rows	Drive Type 1										Seed Rate in Kilograms per Hectare										Based on 0.55 kg/Liter									
17.8 cm (6in)	0	3.3	6.0	9.0	12.2	15.6	19.0	22.6	26.2	29.8	33.5	37.1	40.6	44.0	47.2	50.3	53.2	55.8	58.1	60.1	61.8									
19.1 cm (7.5in)	0	3.1	5.6	8.4	11.4	14.5	17.7	21.1	24.4	27.8	31.2	34.6	37.9	41.0	44.1	46.9	49.6	52.1	54.2	56.1	57.7									
20.3 cm (8in)	0	2.9	5.3	7.9	10.7	13.6	16.6	19.8	22.9	26.1	29.3	32.4	35.5	38.5	41.3	44.0	46.5	48.8	50.9	52.6	54.1									
Rows	Drive Type 2										Seed Rate in Kilograms per Hectare										Based on 0.55 kg/Liter									
17.8 cm (6in)	0	6.8	12.4	18.6	25.1	32.0	39.1	46.4	53.8	61.3	68.8	76.2	83.4	90.4	97.1	103.4	109.3	114.7	119.5	123.6	127.0									
19.1 cm (7.5in)	0	6.3	11.6	17.3	23.4	29.8	36.5	43.3	50.3	57.2	64.2	71.1	77.8	84.4	90.6	96.5	102.0	107.0	111.5	115.4	118.6									
20.3 cm (8in)	0	5.9	10.9	16.2	22.0	28.0	34.2	40.6	47.1	53.7	60.2	66.7	73.0	79.1	84.9	90.5	95.6	100.3	104.5	108.2	111.2									
Rows	Drive Type 3										Seed Rate in Kilograms per Hectare										Based on 0.55 kg/Liter									
17.8 cm (6in)	0	14.4	20.5	28.0	36.5	45.9	56.1	66.9	78.0	89.4	100.9	112.3	123.4	134.0	144.0	153.2	161.5	168.6	174.4	178.7	181.4									
19.1 cm (7.5in)	0	13.4	19.2	26.1	34.0	42.8	52.4	62.4	72.8	83.5	94.2	104.8	115.1	125.1	134.4	143.0	150.7	157.4	162.8	166.8	169.3									
20.3 cm (8in)	0	12.6	18.0	24.5	31.9	40.2	49.1	58.5	68.3	78.3	88.3	98.2	107.9	117.2	126.0	134.1	141.3	147.5	152.6	156.4	158.7									
Rows	Drive Type 4										Seed Rate in Kilograms per Hectare										Based on 0.55 kg/Liter									
17.8 cm (6in)	0	23.5	33.5	45.6	59.5	74.9	91.5	109.0	127.2	145.8	164.5	183.0	201.1	218.5	234.8	249.8	263.3	274.9	284.3	291.4	295.8									
19.1 cm (7.5in)	0	21.9	31.3	42.6	55.5	69.9	85.4	101.7	118.7	136.1	153.5	170.8	187.7	203.9	219.1	233.2	245.7	256.6	265.4	272.0	276.1									
20.3 cm (8in)	0	20.5	29.3	39.9	52.0	65.5	80.0	95.4	111.3	127.6	144.0	160.2	176.0	191.1	205.4	218.6	230.4	240.5	248.8	255.0	258.8									

Metric Rate Charts, Main Seed Box and Dual Seed Box, continued...

Rice-Long Grain-Lamont

Metric	Seed Rate Handle Setting Number																													
	0	5	10	15	20	25	30	35	40	45	50	55	60	65	70	75	80	85	90	95	100									
Rows	Drive Type 1										Seed Rate in Kilograms per Hectare										Based on 0.60 kg/Liter									
17.8 cm (6in)	0	1.1	4.3	7.6	10.9	14.4	17.8	21.3	24.7	28.2	31.5	34.7	37.9	40.9	43.7	46.3	48.7	50.8	52.6	54.2	55.4									
19.1 cm (7.5in)	0	1.1	4.0	7.1	10.2	13.4	16.6	19.9	23.1	26.3	29.4	32.4	35.4	38.1	40.8	43.2	45.4	47.7	49.1	50.6	51.7									
20.3 cm (8in)	0	1.0	3.8	6.6	9.6	12.6	15.6	18.6	21.6	24.6	27.6	30.4	33.1	35.8	38.2	40.5	42.6	44.4	46.1	47.4	48.5									
Rows	Drive Type 2										Seed Rate in Kilograms per Hectare										Based on 0.60 kg/Liter									
17.8 cm (6in)	0	2.3	8.8	15.5	22.5	29.5	36.6	43.8	50.9	57.9	64.8	71.4	77.9	84.0	89.8	95.1	100.0	104.4	108.2	111.4	113.9									
19.1 cm (7.5in)	0	2.2	8.2	14.5	21.0	27.5	34.2	40.8	47.5	54.0	60.4	66.7	72.7	78.4	83.8	88.8	93.3	97.4	101.0	103.9	106.3									
20.3 cm (8in)	0	2.0	7.7	13.6	19.7	25.8	32.0	38.3	44.5	50.6	56.7	62.5	68.1	73.5	78.5	83.2	87.5	91.3	94.7	97.4	99.6									
Rows	Drive Type 3										Seed Rate in Kilograms per Hectare										Based on 0.60 kg/Liter									
17.8 cm (6in)	0	3.9	13.5	23.3	33.1	43.1	53.0	63.0	73.0	82.9	92.7	102.4	111.9	121.3	130.4	139.2	147.8	156.0	163.9	171.4	178.4									
19.1 cm (7.5in)	0	3.7	12.6	21.7	30.9	40.2	49.5	58.8	68.1	77.4	86.5	95.6	104.5	113.2	121.7	130.0	138.0	145.6	153.0	159.9	166.5									
20.3 cm (8in)	0	3.4	11.8	20.4	29.0	37.7	46.4	55.1	63.9	72.5	81.1	89.6	97.6	106.1	114.1	121.8	129.3	136.5	143.4	149.9	156.1									
Rows	Drive Type 4										Seed Rate in Kilograms per Hectare										Based on 0.60 kg/Liter									
17.8 cm (6in)	0	6.4	22.0	37.9	54.0	70.2	86.5	102.7	119.0	135.2	151.2	167.0	182.5	197.7	212.6	227.0	241.0	254.4	267.2	279.4	290.9									
19.1 cm (7.5in)	0	6.0	20.6	35.4	50.4	65.5	80.7	95.9	111.1	126.1	141.1	155.8	170.3	184.6	198.4	211.9	224.9	237.4	249.4	260.8	271.5									
20.3 cm (8in)	0	5.6	19.3	33.2	47.2	61.4	75.7	89.9	104.1	118.3	132.3	146.1	159.7	173.0	186.0	198.7	210.9	222.6	233.8	244.5	254.5									

Rye

Metric	Seed Rate Handle Setting Number																													
	0	5	10	15	20	25	30	35	40	45	50	55	60	65	70	75	80	85	90	95	100									
Rows	Drive Type 1										Seed Rate in Kilograms per Hectare										Based on 0.73 kg/Liter									
17.8 cm (6in)	0	5.0	8.7	13.0	17.9	23.2	29.0	35.0	41.3	47.7	54.2	60.7	67.2	73.4	79.5	85.2	90.6	95.5	99.9	103.6	106.7									
19.1 cm (7.5in)	0	4.7	8.1	12.2	16.7	21.7	27.0	32.7	38.5	44.5	50.6	56.7	62.7	68.5	74.2	79.6	84.6	89.1	93.2	96.7	99.6									
20.3 cm (8in)	0	4.4	7.6	11.4	15.7	20.3	25.3	30.6	36.1	41.7	47.4	53.1	58.8	64.3	69.6	74.6	79.3	83.6	87.4	90.7	93.3									
Rows	Drive Type 2										Seed Rate in Kilograms per Hectare										Based on 0.73 kg/Liter									
17.8 cm (6in)	0	10.3	17.9	26.8	36.8	47.8	59.5	71.9	84.8	98.0	111.4	124.8	138.0	151.0	163.4	175.2	186.2	196.3	205.3	213.0	219.3									
19.1 cm (7.5in)	0	9.6	16.7	25.0	34.4	44.6	55.6	67.1	79.2	91.5	104.0	116.5	128.8	140.9	152.5	163.5	173.8	183.2	191.6	198.8	204.7									
20.3 cm (8in)	0	9.0	15.7	23.4	32.2	41.8	52.1	62.9	74.2	85.8	97.5	109.2	120.8	132.1	143.0	153.3	163.0	171.8	179.6	186.4	191.9									
Rows	Drive Type 3										Seed Rate in Kilograms per Hectare										Based on 0.73 kg/Liter									
17.8 cm (6in)	0	17.7	28.1	40.6	54.9	70.8	88.1	106.4	125.7	145.6	165.9	186.4	206.8	227.0	246.6	265.4	283.2	299.8	314.9	328.2	339.6									
19.1 cm (7.5in)	0	16.5	26.3	37.9	51.3	66.1	82.2	99.4	117.3	135.9	154.9	174.0	193.1	211.8	230.1	247.7	264.3	279.8	293.9	306.3	317.0									
20.3 cm (8in)	0	15.5	24.6	35.5	48.1	62.0	77.1	93.1	110.0	127.4	145.2	163.1	181.0	198.6	215.7	232.2	247.8	262.3	275.5	287.2	297.2									
Rows	Drive Type 4										Seed Rate in Kilograms per Hectare										Based on 0.73 kg/Liter									
17.8 cm (6in)	0	28.9	45.9	66.2	89.5	115.5	143.6	173.6	205.0	237.4	270.5	303.9	337.2	370.1	402.0	432.7	461.7	488.8	513.4	535.2	553.8									
19.1 cm (7.5in)	0	27.0	42.8	61.8	83.6	107.8	134.0	162.0	191.3	221.6	252.5	283.7	314.8	345.4	375.2	403.9	431.0	456.2	479.1	499.5	516.9									
20.3 cm (8in)	0	25.3	40.1	57.9	78.3	101.0	125.6	151.9	179.3	207.7	236.7	265.9	295.1	323.8	351.8	378.6	404.0	427.7	449.2	468.3	484.6									

Metric Rate Charts, Main Seed Box and Dual Seed Box, continued...

Perennial Rye Grass-Palmer

Metric	Seed Rate Handle Setting Number																													
	0	5	10	15	20	25	30	35	40	45	50	55	60	65	70	75	80	85	90	95	100									
Rows	Drive Type 1										Seed Rate in Kilograms per Hectare										Based on 0.46 kg/Liter									
17.8 cm (6in)	0	3.2	4.7	6.4	8.3	10.4	12.6	15.0	17.4	19.8	22.3	24.7	27.1	29.4	31.7	33.8	35.7	37.4	39.0	40.3	41.3									
19.1 cm (7.5in)	0	2.9	4.4	6.0	7.8	9.7	11.8	14.0	16.2	18.5	20.8	23.1	25.3	27.5	29.5	31.5	33.3	34.9	36.4	37.6	38.5									
20.3 cm (8in)	0	2.8	4.1	5.6	7.3	9.1	11.1	13.1	15.2	17.3	19.5	21.6	23.7	25.7	27.7	29.5	31.2	32.8	34.1	35.2	36.1									
Rows	Drive Type 2										Seed Rate in Kilograms per Hectare										Based on 0.46 kg/Liter									
17.8 cm (6in)	0	6.5	9.6	13.2	17.1	21.4	26.0	30.7	35.7	40.7	45.7	50.8	55.7	60.5	65.1	69.4	73.4	77.0	80.1	82.7	84.8									
19.1 cm (7.5in)	0	6.1	9.0	12.3	16.0	20.0	24.2	28.7	33.3	38.0	42.7	47.4	52.0	56.5	60.7	64.8	68.5	71.8	74.8	77.2	79.2									
20.3 cm (8in)	0	5.7	8.4	11.5	15.0	18.7	22.7	26.9	31.2	35.6	40.0	44.4	48.7	52.9	56.9	60.7	64.2	67.3	70.1	72.4	74.2									
Rows	Drive Type 3										Seed Rate in Kilograms per Hectare										Based on 0.46 kg/Liter									
17.8 cm (6in)	0	13.0	15.7	19.7	24.9	31.0	38.0	45.6	53.8	62.2	70.9	79.6	88.2	96.4	104.2	111.4	117.8	123.2	127.6	130.7	132.3									
19.1 cm (7.5in)	0	12.1	14.6	18.4	23.2	28.9	35.4	42.6	50.2	58.1	66.2	74.3	82.3	90.0	97.3	104.0	109.9	115.0	119.1	122.0	123.5									
20.3 cm (8in)	0	11.4	13.7	17.2	21.8	27.1	33.2	39.9	47.0	54.5	62.0	69.7	77.1	84.4	91.2	97.5	103.1	107.8	111.6	114.3	115.8									
Rows	Drive Type 4										Seed Rate in Kilograms per Hectare										Based on 0.46 kg/Liter									
17.8 cm (6in)	0	21.2	25.6	32.1	40.5	50.5	61.9	74.4	87.6	101.5	115.6	129.8	143.7	157.2	169.9	181.6	192.0	200.9	208.0	213.0	215.7									
19.1 cm (7.5in)	0	19.8	23.9	30.0	37.8	47.2	57.8	69.4	81.8	94.7	107.9	121.1	134.2	146.7	158.6	169.5	179.2	187.5	194.1	198.8	201.4									
20.3 cm (8in)	0	18.5	22.4	28.1	35.5	44.2	54.2	65.1	76.7	88.8	101.2	113.6	125.8	137.5	148.7	158.9	168.0	175.8	182.0	186.4	188.8									

Soybeans

Metric	Seed Rate Handle Setting Number																													
	0	5	10	15	20	25	30	35	40	45	50	55	60	65	70	75	80	85	90	95	100									
Rows	Drive Type 1										Seed Rate in Kilograms per Hectare										Based on 0.75 kg/Liter									
17.8 cm (6in)	0	5.3	9.1	13.4	18.2	23.4	28.8	34.5	40.4	46.3	52.3	58.2	64.0	69.6	75.0	80.0	84.5	88.7	92.2	95.1	97.4									
19.1 cm (7.5in)	0	4.9	8.5	12.6	17.0	21.8	26.9	32.2	37.7	43.3	48.8	54.3	59.8	65.0	70.0	74.6	78.9	82.7	86.1	88.8	90.9									
20.3 cm (8in)	0	4.6	8.0	11.8	16.0	20.5	25.2	30.2	35.3	40.6	45.8	51.0	56.0	60.9	65.6	70.0	74.0	77.6	80.7	83.3	85.2									
Rows	Drive Type 2										Seed Rate in Kilograms per Hectare										Based on 0.75 kg/Liter									
17.8 cm (6in)	0	10.9	18.7	27.6	37.5	48.1	59.3	71.0	83.0	95.3	107.5	119.7	131.6	143.1	154.1	164.3	173.8	182.2	189.5	195.6	200.2									
19.1 cm (7.5in)	0	10.2	17.5	25.8	35.0	44.9	55.3	66.3	77.5	88.9	100.4	111.7	122.8	133.6	143.8	153.4	162.2	170.1	176.9	182.5	186.8									
20.3 cm (8in)	0	9.5	16.4	24.2	32.8	42.1	51.9	62.1	72.7	83.4	94.1	104.7	115.2	125.2	134.8	143.8	152.1	159.4	165.8	171.1	175.2									
Rows	Drive Type 3										Seed Rate in Kilograms per Hectare										Based on 0.75 kg/Liter									
17.8 cm (6in)	0	14.2	27.2	41.2	56.2	71.9	88.3	105.1	122.3	139.7	157.1	174.3	191.3	207.8	223.8	239.0	253.3	266.6	278.8	289.6	298.9									
19.1 cm (7.5in)	0	13.2	25.3	38.4	52.4	67.1	82.4	98.1	114.2	130.4	146.6	162.7	178.5	194.0	208.5	223.1	236.4	248.9	260.2	270.3	278.9									
20.3 cm (8in)	0	12.4	23.8	36.0	49.1	62.9	77.3	92.0	107.0	122.2	137.4	152.5	167.4	181.8	195.8	209.1	221.7	233.3	243.9	253.4	261.5									
Rows	Drive Type 4										Seed Rate in Kilograms per Hectare										Based on 0.75 kg/Liter									
17.8 cm (6in)	0	23.1	44.3	67.2	91.6	117.3	144.0	171.4	199.4	227.7	256.1	284.2	311.8	338.8	364.8	389.7	413.0	434.7	454.5	472.1	487.3									
19.1 cm (7.5in)	0	21.6	41.3	62.7	85.5	109.4	134.4	160.0	186.2	212.6	239.0	265.2	291.1	316.2	340.5	363.7	385.5	405.8	424.2	440.6	454.8									
20.3 cm (8in)	0	20.2	38.7	58.8	80.1	102.6	126.0	150.0	174.5	199.3	224.1	248.7	272.9	296.5	319.2	340.9	361.4	380.4	397.7	413.1	426.4									

Metric Rate Charts, Main Seed Box and Dual Seed Box, continued...

Sunflowers-Dahlgren Confection

Metric	Seed Rate Handle Setting Number																													
	0	5	10	15	20	25	30	35	40	45	50	55	60	65	70	75	80	85	90	95	100									
Rows	Drive Type 1										Seed Rate in Kilograms per Hectare										Based on 0.36 kg/Liter									
17.8 cm (6in)	0	0.4	2.2	4.1	6.3	8.5	10.8	13.3	15.8	18.3	20.9	23.4	25.9	28.3	30.7	33.0	35.1	37.1	39.0	40.6	42.0									
19.1 cm (7.5in)	0	0.4	2.0	3.9	5.8	7.9	10.1	12.4	14.7	17.1	19.5	21.8	24.2	26.5	28.7	30.8	32.8	34.7	36.4	37.9	39.2									
20.3 cm (8in)	0	0.4	1.9	3.6	5.5	7.4	9.5	11.6	13.8	16.0	18.2	20.5	22.7	24.8	26.9	28.9	30.7	32.5	34.1	35.5	36.8									
Rows	Drive Type 2										Seed Rate in Kilograms per Hectare										Based on 0.36 kg/Liter									
17.8 cm (6in)	0	0.8	4.5	8.5	12.9	17.5	22.3	27.3	32.4	37.6	42.9	48.1	53.2	58.3	63.1	67.8	72.2	76.3	80.1	83.4	86.3									
19.1 cm (7.5in)	0	0.8	4.2	7.9	12.0	16.3	20.8	25.5	30.3	35.1	40.0	44.9	49.7	54.4	58.9	63.3	67.4	71.2	74.7	77.9	80.6									
20.3 cm (8in)	0	0.7	3.9	7.4	11.2	15.3	19.5	23.9	28.4	32.9	37.5	42.1	46.6	51.0	55.2	59.3	63.2	66.8	70.1	73.0	75.5									
Rows	Drive Type 3										Seed Rate in Kilograms per Hectare										Based on 0.36 kg/Liter									
17.8 cm (6in)	0	3.3	7.1	11.8	17.1	23.0	29.3	36.1	43.2	50.5	57.9	65.3	72.7	79.9	86.9	93.6	99.8	105.5	110.6	115.0	118.7									
19.1 cm (7.5in)	0	3.1	6.7	11.0	15.9	21.4	27.4	33.7	40.3	47.1	54.0	61.0	67.8	74.6	81.1	87.3	93.2	98.5	103.3	107.4	110.8									
20.3 cm (8in)	0	2.9	6.3	10.3	14.9	20.1	25.7	31.6	37.8	44.1	50.6	57.1	63.6	69.9	76.1	81.9	87.3	92.3	96.8	100.7	103.8									
Rows	Drive Type 4										Seed Rate in Kilograms per Hectare										Based on 0.36 kg/Liter									
17.8 cm (6in)	0	5.3	11.6	19.2	27.8	37.4	47.8	58.8	70.4	82.3	94.3	106.5	118.5	130.3	141.7	152.6	162.7	172.1	180.4	187.6	193.5									
19.1 cm (7.5in)	0	5.0	10.9	17.9	26.0	34.9	44.6	54.9	65.7	76.8	88.1	99.4	110.6	121.6	132.3	142.4	151.9	160.6	168.4	175.1	180.6									
20.3 cm (8in)	0	4.7	10.2	16.8	24.4	32.7	41.8	51.5	61.6	72.0	82.6	93.2	103.7	114.0	124.0	133.5	142.4	150.5	157.8	164.1	169.3									

Wheat-Abeline

Metric	Seed Rate Handle Setting Number																													
	0	5	10	15	20	25	30	35	40	45	50	55	60	65	70	75	80	85	90	95	100									
Rows	Drive Type 1										Seed Rate in Kilograms per Hectare										Based on 0.82 kg/Liter									
17.8 cm (6in)	0	9.4	11.7	14.8	18.7	23.3	28.5	34.1	40.0	46.3	52.7	59.2	65.6	72.0	78.1	83.8	89.2	94.1	98.3	101.8	104.5									
19.1 cm (7.5in)	0	8.7	10.9	13.8	17.5	21.8	26.6	31.8	37.4	43.2	49.2	55.2	61.3	67.2	72.9	78.3	83.3	87.8	91.7	95.0	97.5									
20.3 cm (8in)	0	8.2	10.2	13.0	16.4	20.4	24.9	29.8	35.0	40.5	46.1	51.8	57.4	63.0	68.3	73.4	78.1	82.3	86.0	89.1	91.4									
Rows	Drive Type 2										Seed Rate in Kilograms per Hectare										Based on 0.82 kg/Liter									
17.8 cm (6in)	0	19.2	24.0	30.5	38.5	47.9	58.5	70.0	82.3	95.1	108.3	121.6	134.9	147.9	160.5	172.4	183.4	193.3	202.0	209.3	214.8									
19.1 cm (7.5in)	0	17.9	22.4	28.4	36.0	44.7	54.6	65.4	76.8	88.8	101.1	113.5	125.9	138.1	149.8	160.9	171.2	180.5	188.6	195.3	200.5									
20.3 cm (8in)	0	16.8	21.0	26.7	33.7	41.9	51.2	61.3	72.0	83.3	94.8	106.4	118.0	129.4	140.4	150.8	160.5	169.2	176.8	183.1	188.0									
Rows	Drive Type 3										Seed Rate in Kilograms per Hectare										Based on 0.82 kg/Liter									
17.8 cm (6in)	0	24.2	33.7	45.1	58.2	72.8	88.7	105.6	123.3	141.6	160.1	178.7	197.2	215.2	232.7	249.2	264.6	278.7	291.2	301.9	310.5									
19.1 cm (7.5in)	0	22.6	31.4	42.1	54.3	68.0	82.8	98.6	115.1	132.1	149.4	166.8	184.0	200.9	217.1	232.6	247.0	260.1	271.8	281.8	289.8									
20.3 cm (8in)	0	21.2	29.5	39.4	50.9	63.7	77.6	92.4	107.9	123.9	140.1	156.4	172.5	188.3	203.6	218.0	231.5	243.9	254.8	264.1	271.7									
Rows	Drive Type 4										Seed Rate in Kilograms per Hectare										Based on 0.82 kg/Liter									
17.8 cm (6in)	0	39.5	54.9	73.5	94.9	118.8	144.7	172.2	201.1	230.8	261.0	291.4	321.5	350.9	379.3	406.3	431.5	454.4	474.8	492.2	506.2									
19.1 cm (7.5in)	0	36.9	51.2	68.6	88.6	110.9	135.0	160.8	187.7	215.4	243.6	272.0	300.1	327.5	354.0	379.2	402.7	424.1	443.1	459.4	472.5									
20.3 cm (8in)	0	34.6	48.0	64.3	83.1	103.9	126.6	150.7	175.9	202.0	228.4	255.0	281.3	307.1	331.9	355.5	377.5	397.6	415.4	430.7	443.0									

Metric Rate Charts, Main Seed Box and Dual Seed Box, continued...

Wheat Grass-Buffalo Brand

Metric	Seed Rate Handle Setting Number																													
	0	5	10	15	20	25	30	35	40	45	50	55	60	65	70	75	80	85	90	95	100									
Rows	Drive Type 1										Seed Rate in Kilograms per Hectare										Based on 0.30 kg/Liter									
17.8 cm (6in)	0	1.2	2.2	3.2	4.2	5.3	6.4	7.6	8.7	9.9	11.1	12.3	13.4	14.6	15.7	16.8	17.8	18.8	19.7	20.6	21.3									
19.1 cm (7.5in)	0	1.2	2.0	3.0	3.9	4.9	6.0	7.1	8.1	9.2	10.3	11.4	12.5	13.6	14.6	15.6	16.6	17.5	18.4	19.2	19.9									
20.3 cm (8in)	0	1.1	1.9	2.8	3.7	4.6	5.6	6.6	7.6	8.7	9.7	10.7	11.7	12.7	13.7	14.7	15.6	16.4	17.2	18.0	18.7									
Rows	Drive Type 2										Seed Rate in Kilograms per Hectare										Based on 0.30 kg/Liter									
17.8 cm (6in)	0	2.5	4.5	6.5	8.6	10.9	13.2	15.5	17.9	20.3	22.8	25.2	27.6	29.9	32.2	34.5	36.6	38.6	40.5	42.3	43.9									
19.1 cm (7.5in)	0	2.4	4.2	6.1	8.1	10.1	12.3	14.5	16.7	19.0	21.3	23.5	25.7	27.9	30.1	32.2	34.1	36.0	37.8	39.5	41.0									
20.3 cm (8in)	0	2.2	3.9	5.7	7.6	9.5	11.5	13.6	15.7	17.8	19.9	22.0	24.1	26.2	28.2	30.1	32.0	33.8	35.4	37.0	38.4									
Rows	Drive Type 3										Seed Rate in Kilograms per Hectare										Based on 0.30 kg/Liter									
17.8 cm (6in)	0	4.6	7.0	9.7	12.7	15.8	19.1	22.5	26.1	29.7	33.3	36.9	40.5	44.0	47.4	50.7	53.8	56.6	59.3	61.7	63.7									
19.1 cm (7.5in)	0	4.3	6.5	9.1	11.8	14.8	17.8	21.0	24.3	27.7	31.1	34.4	37.8	41.1	44.2	47.3	50.2	52.9	55.3	57.6	59.5									
20.3 cm (8in)	0	4.0	6.1	8.5	11.1	13.8	16.7	19.7	22.8	26.0	29.1	32.3	35.4	38.5	41.5	44.3	47.0	49.6	51.9	54.0	55.8									
Rows	Drive Type 4										Seed Rate in Kilograms per Hectare										Based on 0.30 kg/Liter									
17.8 cm (6in)	0	7.4	11.4	15.9	20.7	25.8	31.2	36.8	42.5	48.4	54.3	60.2	66.0	71.7	77.3	82.6	87.6	92.4	96.7	100.6	103.9									
19.1 cm (7.5in)	0	6.9	10.7	14.8	19.3	24.1	29.1	34.3	39.7	45.1	50.7	56.2	61.6	66.9	72.1	77.1	81.8	86.2	90.2	93.9	97.0									
20.3 cm (8in)	0	6.5	10.0	13.9	18.1	22.6	27.3	32.2	37.2	42.3	47.5	52.7	57.8	62.8	67.6	72.3	76.7	80.8	84.6	88.0	90.9									

Metric Small Seeds Seed Rate Charts

Small seeds box instructions are on page 17.
 Charts in U.S. customary units begin on page 18.

Alfalfa, Red Alsike, Crimson Clover

Metric	Small Seeds Cup Lever Setting																				
	0	5	10	15	20	25	30	35	40	45	50	55	60	65	70	75	80	85	90	95	100
Rows	Seeding Rate in Kilograms per Hectare																				
17.8cm (7in)	0	0.0	2.1	3.4	4.6	5.7	7.2	8.5	9.5	10.7	12.2	13.3	14.5	15.8	16.9	18.4	19.5	20.6	22.5	23.2	24.3
19.1cm (7.5in)	0	0.0	2.0	3.2	4.4	5.4	6.8	7.9	8.9	10.1	11.3	12.5	13.6	14.9	15.8	17.2	18.3	19.4	20.6	21.7	22.9
20.3cm (8in)	0	0.0	1.8	2.9	4.1	5.1	6.3	7.4	8.3	9.5	10.6	11.6	12.7	13.9	14.8	15.7	17.1	18.1	19.3	19.3	21.3
25.4cm (10in)	0	0.0	1.5	2.4	3.2	3.9	5.0	5.7	6.5	7.4	8.3	9.1	10.0	10.9	11.6	12.6	13.4	14.2	15.1	15.9	16.7

Kentucky Bluegrass, Fescue, Annual Rye Grass

Metric	Small Seeds Cup Lever Setting																				
	0	5	10	15	20	25	30	35	40	45	50	55	60	65	70	75	80	85	90	95	100
Rows	Seeding Rate in Kilograms per Hectare																				
17.8cm (7in)	0	0.0	0.2	1.1	1.8	2.6	3.2	3.9	4.5	5.1	5.6	6.1	6.6	7.1	7.5	8.0	8.5	8.9	9.0	9.7	10.1
19.1cm (7.5in)	0	0.0	0.2	1.0	1.7	2.5	3.0	3.7	4.2	4.7	5.2	5.7	6.2	6.6	7.1	7.5	7.9	8.3	8.3	9.1	9.5
20.3cm (8in)	0	0.0	0.2	1.0	1.6	2.3	2.8	3.4	3.9	4.4	4.8	5.4	5.7	6.2	6.6	7.0	7.4	7.7	8.1	8.5	8.9
25.4cm (10in)	0	0.0	0.1	0.8	1.2	1.8	2.3	2.7	3.0	3.5	3.8	4.2	4.5	4.8	5.2	5.5	5.8	6.1	6.4	6.6	7.0

Bermuda, Red Top, Lespedeza Unhulled, Sercia, Sand, Weeping Love Grass

Metric	Small Seeds Cup Lever Setting																				
	0	5	10	15	20	25	30	35	40	45	50	55	60	65	70	75	80	85	90	95	100
Rows	Seeding Rate in Kilograms per Hectare																				
17.8cm (7in)	0	0.0	0.7	1.0	1.7	2.5	3.2	4.1	4.8	5.7	6.3	7.0	7.5	8.0	8.7	9.1	9.8	10.6	11.3	11.8	12.4
19.1cm (7.5in)	0	0.0	0.6	1.0	1.6	2.4	2.9	3.7	4.5	5.3	6.0	6.5	7.1	7.5	8.1	8.6	9.2	9.9	10.5	11.0	11.7
20.3cm (8in)	0	0.0	0.6	0.9	1.5	2.3	2.8	3.5	4.3	5.0	5.5	6.1	6.6	7.3	7.5	8.0	8.6	9.2	9.8	10.4	10.9
25.4cm (10in)	0	0.0	0.5	0.7	1.1	1.7	2.1	2.7	3.4	3.9	4.4	4.7	5.2	5.2	6.0	6.3	6.8	7.2	7.7	8.1	8.1

Red & Sweet Clover, Lespedeza Hulled

Metric	Small Seeds Cup Lever Setting																				
	0	5	10	15	20	25	30	35	40	45	50	55	60	65	70	75	80	85	90	95	100
Rows	Seeding Rate in Kilograms per Hectare																				
17.8cm (7in)	0	0.0	1.5	3.3	5.1	6.9	8.7	10.9	12.7	14.8	16.5	18.4	20.1	21.7	23.7	25.6	27.7	29.1	31.0	32.7	34.4
19.1cm (7.5in)	0	0.0	1.4	3.0	4.7	6.4	8.1	10.3	11.9	13.9	15.4	17.2	18.8	20.4	22.2	23.9	25.6	27.3	29.1	30.6	32.2
20.3cm (8in)	0	0.0	1.2	2.8	4.4	5.9	7.5	9.6	11.2	13.0	14.4	16.1	17.6	19.0	20.6	22.3	23.9	25.5	27.2	28.6	30.1
25.4cm (10in)	0	0.0	1.0	2.3	3.5	4.7	6.0	7.5	8.8	10.1	11.3	12.6	13.7	15.0	16.2	17.6	18.7	20.1	21.3	21.3	23.6

Metric Rate Charts, Small Seeds Box, continued...

Orchard Grass

Metric	Small Seeds Cup Lever Setting																				
	0	5	10	15	20	25	30	35	40	45	50	55	60	65	70	75	80	85	90	95	100
Rows	Seeding Rate in Kilograms per Hectare																				
17.8cm (7in)	0	0.0	0.0	0.2	0.7	0.8	1.2	1.5	1.9	2.4	2.7	3.2	3.4	3.8	4.2	4.6	4.8	5.3	5.6	5.8	6.1
19.1cm (7.5in)	0	0.0	0.0	0.2	0.6	0.8	1.2	1.3	1.8	2.1	2.5	2.9	3.2	3.6	3.9	4.4	4.5	5.0	5.2	5.5	5.7
20.3cm (8in)	0	0.0	0.0	0.2	0.6	0.8	1.1	1.2	1.7	2.0	2.4	2.8	2.9	3.3	3.7	4.1	4.3	4.6	4.8	5.2	5.4
25.4cm (10in)	0	0.0	0.0	0.1	0.5	0.6	0.9	1.0	1.4	1.6	1.9	2.1	2.4	2.6	2.9	3.2	3.4	3.6	3.7	4.1	4.2

Millet, Reed Canary

Metric	Small Seeds Cup Lever Setting																				
	0	5	10	15	20	25	30	35	40	45	50	55	60	65	70	75	80	85	90	95	100
Rows	Seeding Rate in Kilograms per Hectare																				
17.8cm (7in)	0	0.5	1.4	2.4	3.4	4.3	5.3	6.3	7.2	8.2	9.1	10.1	11.2	12.1	13.1	14.1	15.0	16.0	17.0	17.9	18.1
19.1cm (7.5in)	0	0.3	1.3	2.2	3.1	4.0	5.0	5.9	6.8	7.7	8.6	9.5	10.5	11.4	12.3	13.2	14.1	15.0	15.9	16.8	17.0
20.3cm (8in)	0	0.3	1.2	2.0	2.9	3.7	4.6	5.5	6.3	7.2	8.0	8.9	9.7	10.6	11.5	12.3	13.2	14.0	14.9	15.7	15.9
25.4cm (10in)	0	0.3	0.9	1.6	2.3	2.3	3.6	4.3	5.0	5.6	6.3	7.0	7.6	8.3	9.0	9.7	10.4	11.0	11.7	12.3	13.0

Ladino Clover, Canary Grass, Timothy, Canola

Metric	Small Seeds Cup Lever Setting																				
	0	5	10	15	20	25	30	35	40	45	50	55	60	65	70	75	80	85	90	95	100
Rows	Seeding Rate in Kilograms per Hectare																				
17.8cm (7in)	0	0.0	1.0	1.9	3.1	4.6	5.9	7.4	8.9	10.4	11.8	13.3	15.0	16.5	17.9	19.6	21.1	22.5	24.8	26.4	28.3
19.1cm (7.5in)	0	0.0	1.0	1.8	2.9	4.4	5.5	6.8	8.3	9.7	11.0	12.5	14.1	15.4	16.8	18.4	19.8	21.2	23.0	24.7	26.5
20.3cm (8in)	0	0.0	0.9	1.7	2.8	4.1	5.2	6.4	7.7	8.9	10.4	11.6	13.1	14.4	15.6	17.0	18.5	19.7	21.4	21.4	24.7
25.4cm (10in)	0	0.0	0.7	1.7	2.1	2.8	4.1	5.1	6.1	7.1	8.1	9.1	10.3	11.3	12.3	13.5	14.5	15.5	16.8	18.1	19.4

Birdsfoot, Trefoil, Sudan

Metric	Small Seeds Cup Lever Setting																				
	0	5	10	15	20	25	30	35	40	45	50	55	60	65	70	75	80	85	90	95	100
Rows	Seeding Rate in Kilograms per Hectare																				
17.8cm (7in)	0	0.0	1.7	3.2	5.1	6.5	8.5	10.4	12.3	14.1	16.2	18.6	20.5	22.4	24.5	27.0	28.8	31.0	32.7	35.0	37.1
19.1cm (7.5in)	0	0.0	1.6	2.9	4.7	6.1	7.9	9.7	11.4	13.3	15.2	17.3	19.0	21.0	23.0	25.4	27.0	29.1	31.1	32.8	32.8
20.3cm (8in)	0	0.0	1.5	2.8	4.4	5.7	7.4	9.1	10.7	12.4	14.2	16.2	17.9	19.7	21.6	23.7	25.2	27.2	29.0	30.6	32.5
25.4cm (10in)	0	0.0	1.1	2.1	3.5	4.5	5.7	7.1	8.5	9.7	11.2	12.7	14.0	15.5	17.0	18.6	19.8	21.3	22.8	24.1	25.6

Metric Native Grass Rates

Native Grass instructions are on page 20.
Charts in U.S. customary units are on page 24.

Metric Native Grass Cup Rates

Model 706NT (7.5 inch Row Spacing)

Driven Sprocket	15	16	17	18	19	20	21	22	23	24
Drive Type	Seed Cup Revolutions per Hectare									
1	284.2	266.5	250.8	236.9	224.4	213.2	203.0	193.8	185.4	177.6
2	584.3	547.8	515.5	486.9	461.3	438.2	417.3	398.4	381.0	365.2
3	876.4	821.6	773.3	730.3	691.9	657.3	626.0	597.5	571.6	547.8
4	1429.7	1340.3	1261.5	1191.4	1128.7	1072.3	1021.2	974.8	932.4	893.6

Model 1006NT (7.5 inch Row Spacing)

Driven Sprocket	15	16	17	18	19	20	21	22	23	24
Drive Type	Seed Cup Revolutions per Hectare									
1	197.8	185.4	174.5	164.8	156.1	148.3	141.3	134.8	129.0	123.6
2	405.9	381.2	358.7	338.8	468.7	306.4	290.4	277.2	265.1	254.1
3	609.8	571.7	538.0	508.2	481.4	457.3	435.6	415.8	397.7	381.1
4	994.8	932.6	877.7	829.0	785.3	746.1	710.5	678.3	648.8	621.7

Brome Grass Metric Rates

Metric	Driven Sprocket	15	16	17	18	19	20	21	22	23	24
Rows	Drive Type	Seeding Rate in Kilograms per Hectare									
17.8cm (7in)	1	10.3	9.6	9.1	8.6	8.2	7.7	7.4	7.1	6.7	6.5
	2	21.2	19.8	18.7	17.7	16.7	15.9	15.1	14.5	13.8	13.2
	3	31.8	29.8	28.0	26.5	25.1	23.9	22.8	21.6	20.7	19.8
	4	51.9	48.6	45.7	43.2	40.9	38.9	37.0	35.3	33.8	32.4
19.1cm (7.5in)	1	9.6	9.1	8.5	8.1	7.6	7.2	6.8	6.6	6.3	6.1
	2	19.8	18.5	17.5	16.5	15.6	14.8	14.1	13.5	12.9	12.3
	3	29.7	27.8	26.2	24.8	23.4	22.3	21.2	20.3	19.4	18.5
	4	48.4	45.4	42.7	40.4	38.2	36.3	34.5	33.0	31.6	30.3
20.3cm (8in)	1	9.1	8.4	8.0	7.5	7.2	6.7	6.5	6.2	5.9	5.6
	2	18.5	17.4	16.4	15.5	14.7	13.9	13.2	12.7	12.1	11.5
	3	27.8	26.1	24.5	23.2	22.0	20.8	19.8	18.9	18.2	17.4
	4	45.4	42.5	40.0	37.8	35.9	34.1	32.4	30.9	29.6	28.4

Metric Fertilizer Rate Chart

Fertilizer instructions are on page 28.

Chart in U.S. customary units is on page 29.

Metric Rates in Kilograms per Hectare

Metric	Setting Number																		
	10	15	20	25	30	35	40	45	50	55	60	65	70	75	80	85	90	95	100
Rows	Application Rate - Kilograms per Hectare																		
17.8cm (7in)	15	22	29	43	61	83	104	119	134	161	186	201	214	237	258	282	305	329	353
19.1cm (7.5in)	13	20	27	42	57	76	98	112	126	150	175	189	202	222	243	265	287	310	331
20.3cm (8in)	12	19	26	40	54	70	92	106	118	141	164	177	190	209	228	248	269	291	311
25.4cm (10in)	10	16	21	33	43	58	74	84	94	113	131	141	152	167	182	199	216	232	248

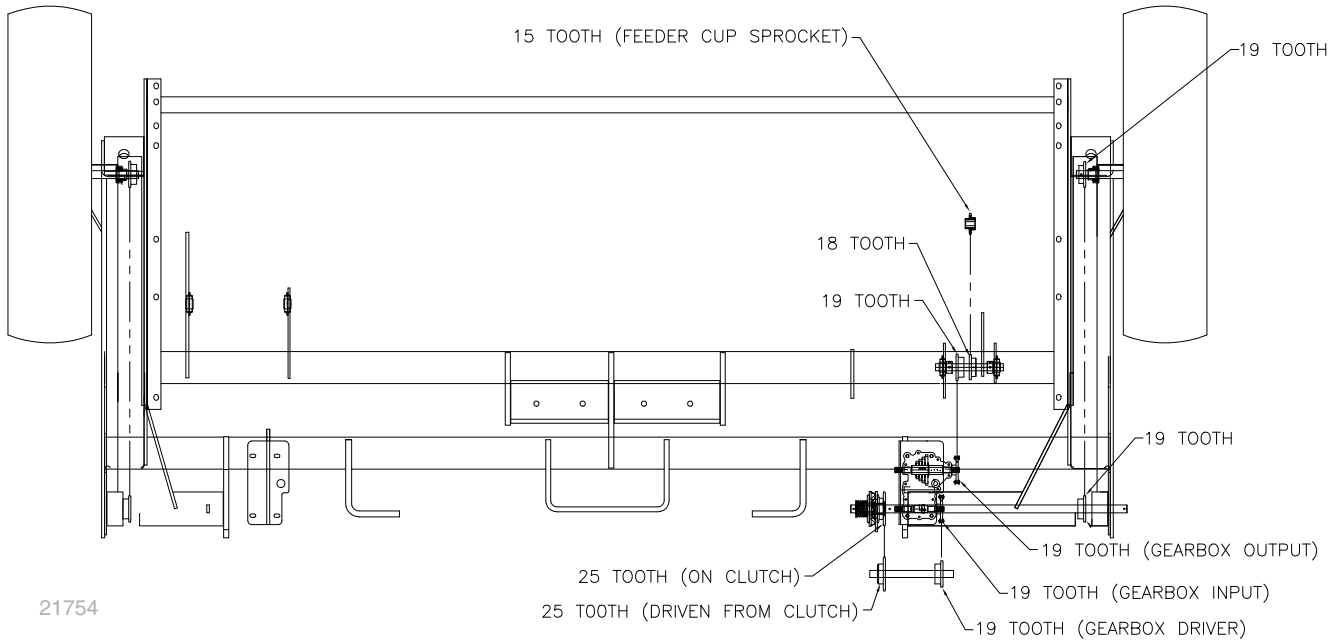
Density Conversion Charts

The fertilizer meter rate charts are based on fertilizer with a density of 1.04 kilograms per liter. If you are applying fertilizer of a different density, use the following table to convert application rate.

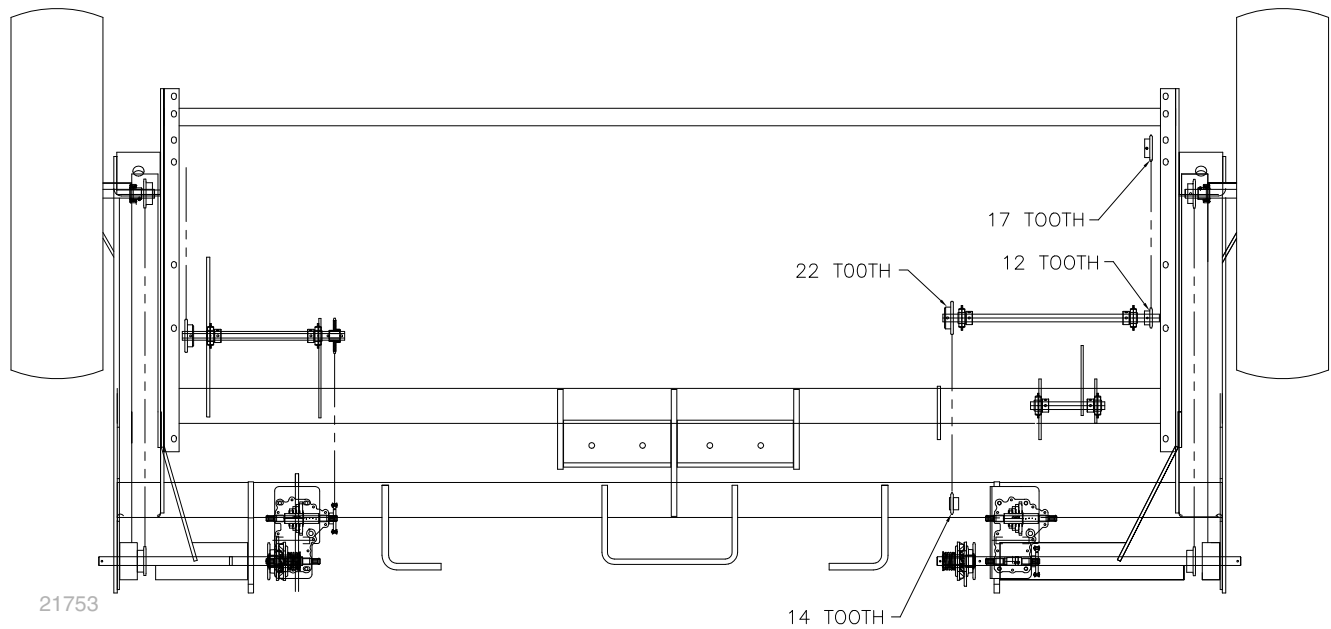
Density, kg/l	725	800	875	950	1041	1125	1200	1275
Conversion Factor	1.44	1.30	1.19	1.10	1.00	0.93	0.87	0.82

Sprocket Configurations

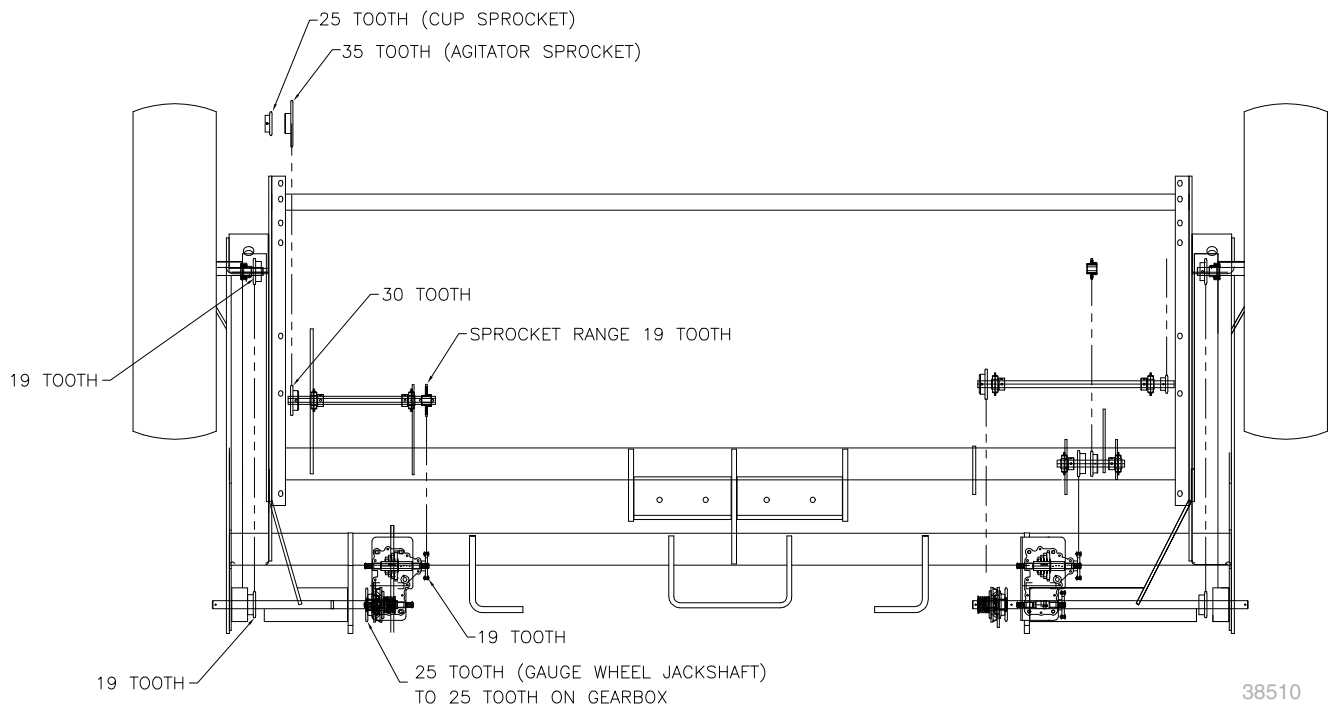
Main Seed Box



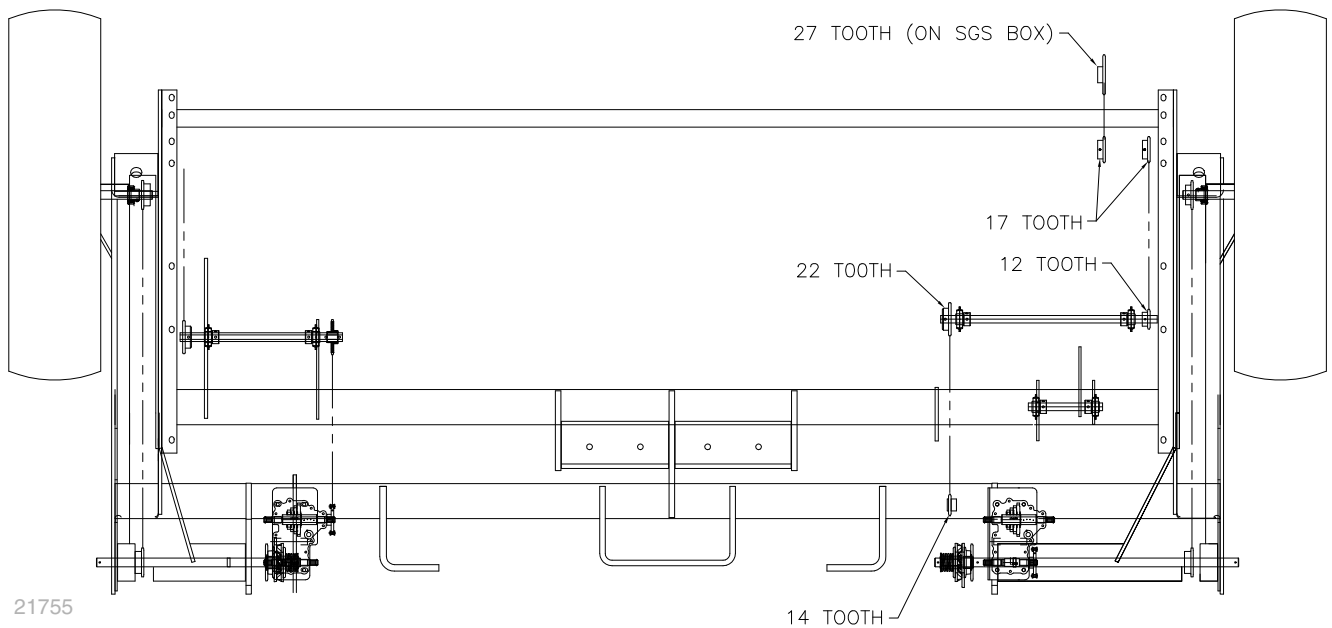
Seed Box Agitator



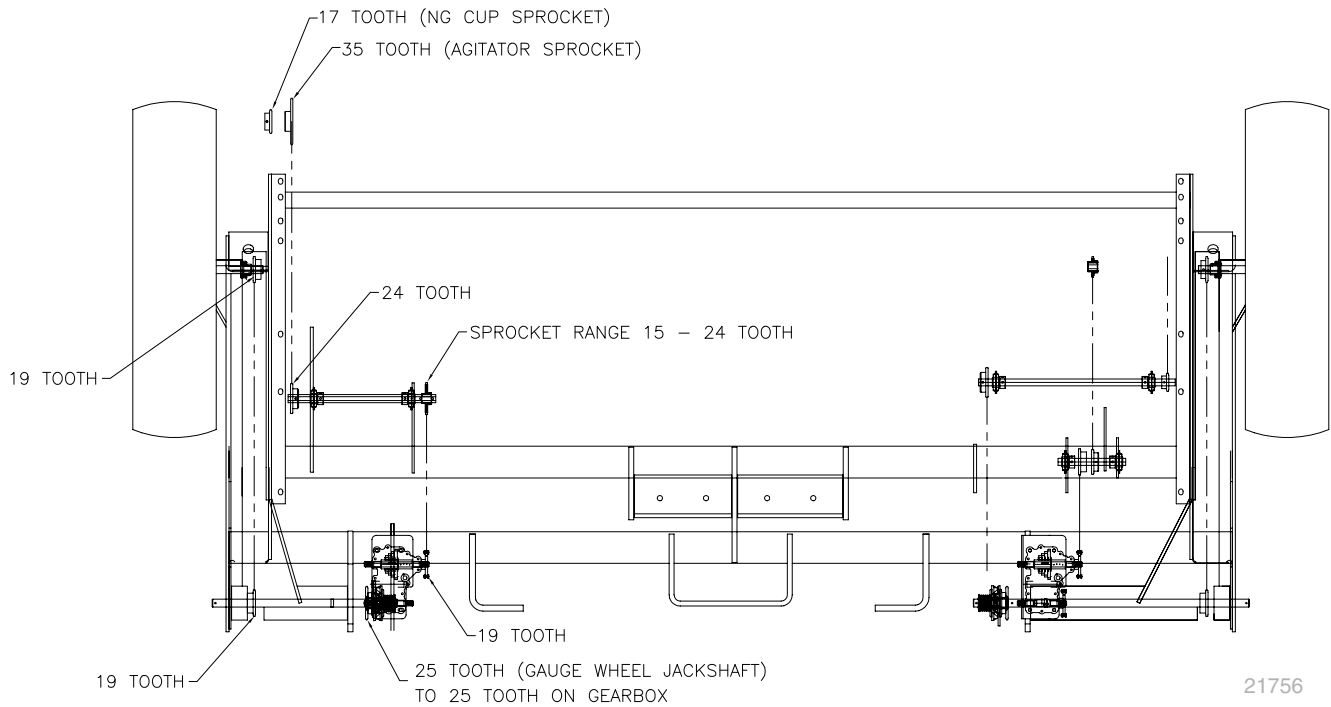
Dual Seed Box



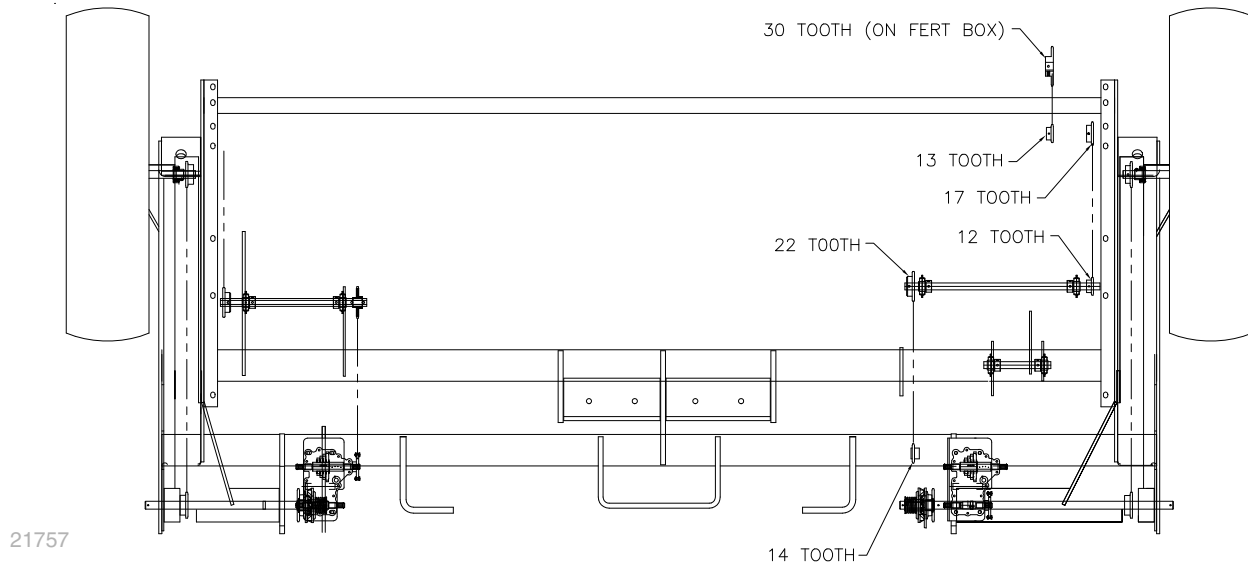
Small Seeds Box



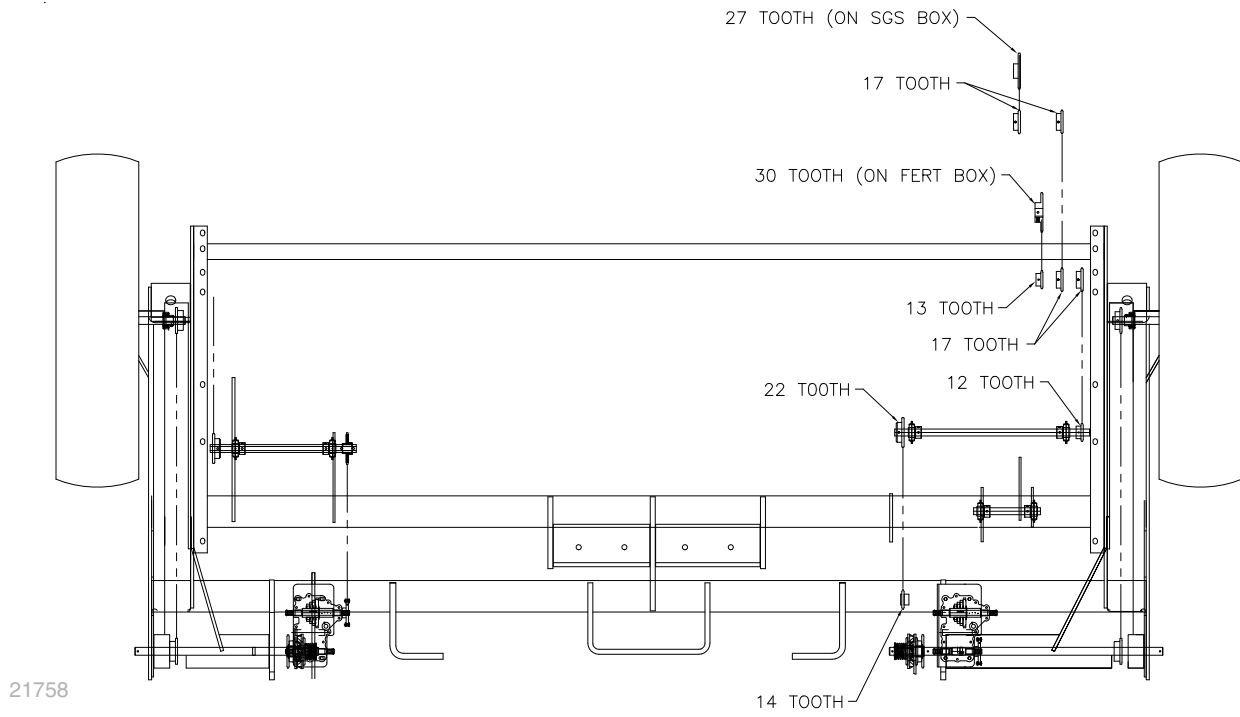
Native Grass



Fertilizer



Fertilizer with Small Seeds



Great Plains Manufacturing, Inc.

Corporate Office: P.O. Box 5060
Salina, Kansas 67402-5060 USA
